



Stella Led 232W

Technical specification

Outdoor Led light with incorporated electronic gear. Cylindrical reflector with optional lens spread, 15x30, 60x92 and 30x140. Safety glass required. Yoke, lamp and gear housing are made in die-cast aluminum. Electronic ballast are built in to fixture housing for optimal cooling, which increase the product lifetime and enhance the performance of the light source. Dimmable 50% or 100% with the use of 2-phase control system.

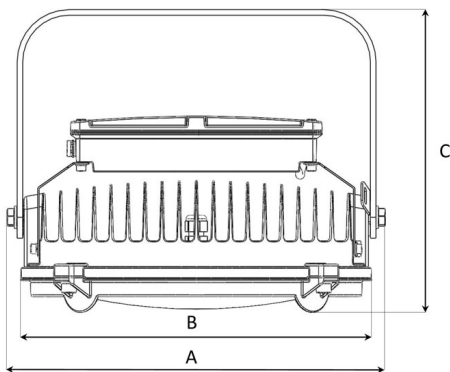
Model and colors Available in grey and other colours on request.

Accessories On request, elumdat files of the different lenses are provided.

Area of use Outdoor, arena and industrial use.

Technical data

Mains (input) voltage	220-240 V
Total weight	12,5 kg
Form of protection	IP 66, class II
Color temperature	4 000 K
Light source	LED
Operating position	Universal
Control gear	Electronic
Start time	Instant
Driver	Separate
Safety glass	Included
Optics	15x30 dgr, 30x140 dgr, 60x92 dgr



A 409 B Ø379 C 326 (mm)

Art no	Description	Color
151-540-30	15x30 dgr	Grey
151-541-30	60x90 dgr	Grey
151-542-30	60x92 dgr	Grey
151-543-30	30x140 dgr	Grey
151-165-33	Extreme holder	Grey

Type	Delivered lumen output (lm)	System power (W)	EEI ³
740	18050	232	

Note

Final shipping destination may require minor modifications of components as well as article numbers, be sure to state the country in which the fixtures will be used. Product is still under construction, please check with Nordic Light for latest update.