

Raptor II 8L



Technical specification

Arm-Light for outdoor use with 16 high power LEDs. High quality transparent polycarbonate lens with flood beam spread. Housing of Aluminum die-cast for efficient cooling of the LEDs. Built in electronic gear.

Model and colors Available in Grey colour. Other colours on request.

Area of use Suitable for signboard lighting. Also possible to install fixture on a standing position (horizontal).

Technical data

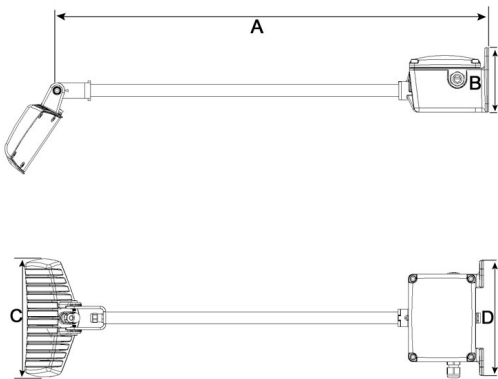
Mains (input) voltage	220-240 V
Total weight	3 kg
Form of protection	IP 65
Color temperature	3 000 or 4 000 K
Light source	LED
Operating position	Vertical, tilting
Control gear	Electronic
Driver	Built in
Optics	Transparent Polycarbonate
Beam spreads	Flood

Art no	Description	Color
177-500-30	Flood	Grey

Type	Delivered lumen output (lm)	System power (W)	EEI ³
740	3010	37	

Note

Final shipping destination may require minor modifications of components as well as article numbers, be sure to state the country in which the fixtures will be used.



A 700 B 105 C 196 D 196 (mm)