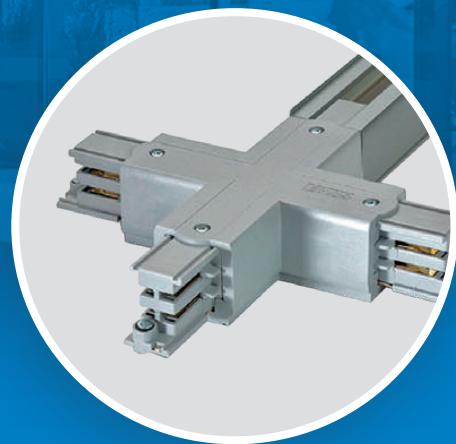
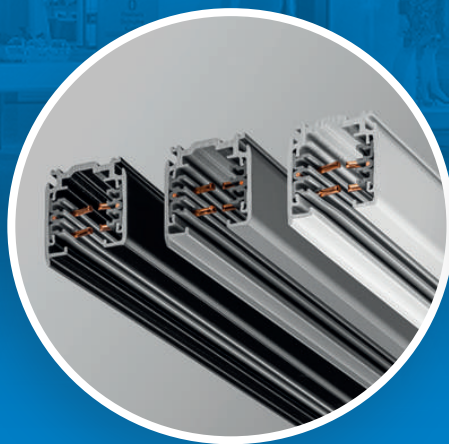


GLOBAL TRAC®

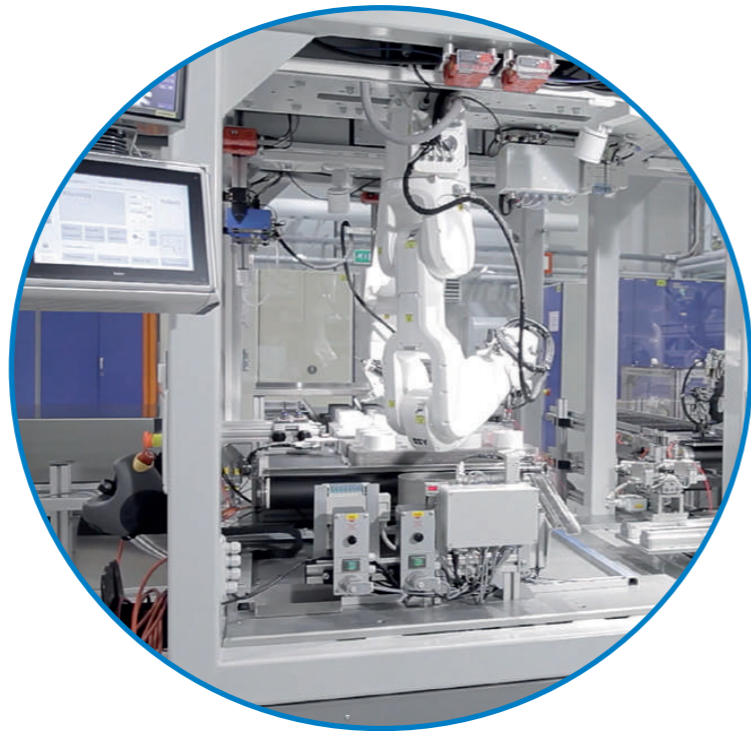
The Market Leader and
Pioneer in Professional
Track Lighting Solutions



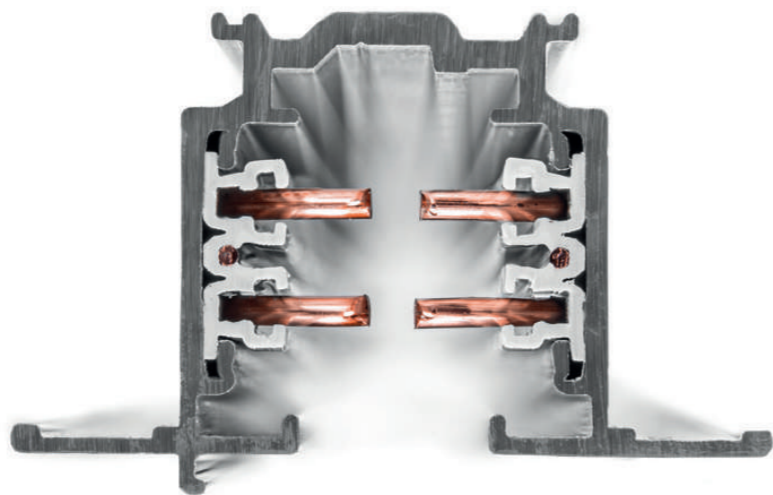
NORDIC  ALUMINIUM

LIVAL GROUP

www.nordicaluminium.fi • www.lival.com



The Market Leader
and Pioneer in
Professional Track
Lighting Solutions



GLOBAL trac

THE EASY WAY TO
BUILD UP YOUR
RETAIL LIGHTING

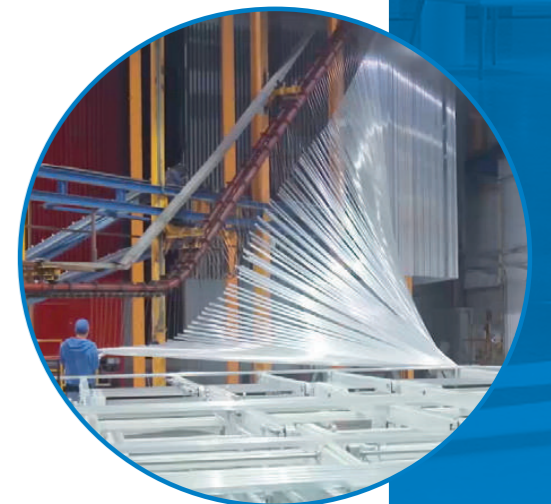
Our highly automated, state-of-the-art factories **in Finland** help us match customer demand at all times and guarantee, that we can manufacture and deliver a comprehensive portfolio of electrotechnical solutions quickly and cost-effectively.

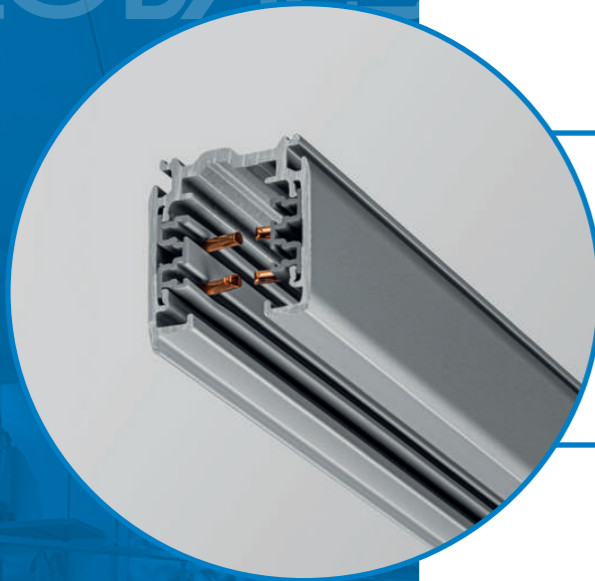
With capacity for lighting tracks exceeding 5 million meters annually, Nordic Aluminium today has a position as a globally leading manufacturer.

GLOBAL trac is a registered trademark of Nordic Aluminium.

NORDIC ALUMINIUM
LIVAL GROUP

www.nordicaluminium.fi

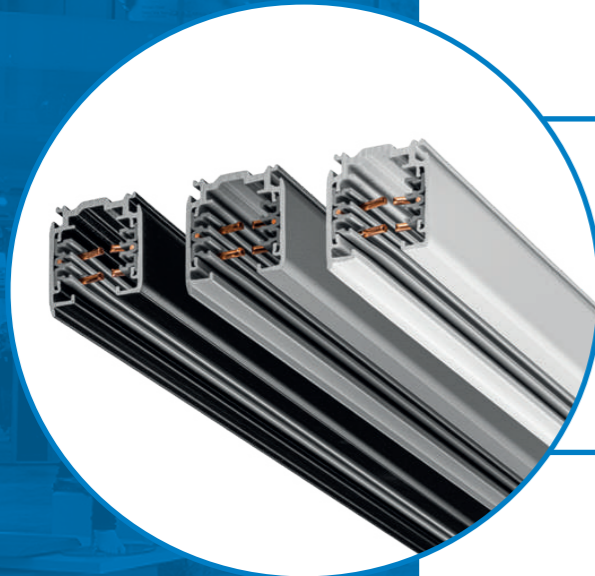




GLOBAL Trac Pro

L1/L2/L3/neutral/ground
16 A/400 V. IP20

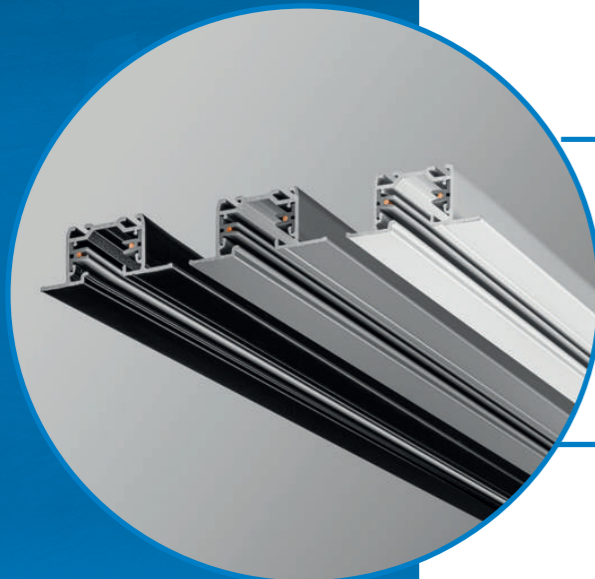
pages 6-9



GLOBAL Trac Pulse control

L1/L2/L3/neutral/ground 16 A/400 V
+ control 2 x 1 A/50 FELV AC DALI (FELV),
KNX, LON, EIB, 1-10 V etc. compatible

pages 10-13



GLOBAL Trac Base

L1/16 A/230 V. IP20

pages 14-17



GLOBAL Trac Suspension parts

GLOBAL Trac Pro, GLOBAL Pulse control,
GLOBAL Trac Base

pages 18-25



GLOBAL Trac Adapters & In-Track Adapter-Drivers

Compatible with variety of track systems
available in the market

pages 26-35

First on the market

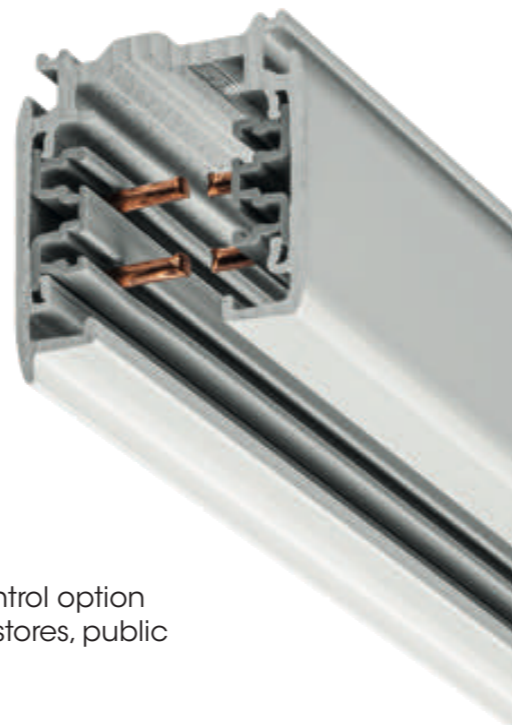


GLOBAL Trac Spot & Flood Lights Linear LED Lights

pages 38-39

GLOBAL Trac Pro

GLOBAL Trac Pro is the most sold three-circuit lighting track system in the world. It is the quality choice of professionals and lighting manufacturers. Long experience and 100% quality assurance ensure problem-free operation.



GLOBAL Trac Pro's **high load capacity** and circuit-specific control option can be used in various spaces, including shops, department stores, public buildings, restaurants, airports and offices.

Easy to extend

The modular structure of the system makes it easy to extend and adapt to various needs. Modular dimensions help designers fit the system into the appropriate space and also make on-site mounting easier. **Reliable connectors ensure fast and easy installation** resulting in overall cost savings.

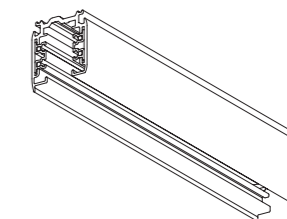
GLOBAL Trac Pro

Available colours: -1 Global grey, -2 black (RAL 9005), -3 white (RAL 9016).

Surface Mounted Tracks:

| Purchase Code | Type | EAN code | Length (mm) | Colour | PCS/Package |
|---------------|------------|---------------|-------------|--------|-------------|
| KKT301144 | XTS 4100-1 | 6410014500566 | 1000 | Grey | 4/240 |
| KKT301152 | XTS 4100-2 | 6410014506018 | 1000 | Black | 4/240 |
| KKT301158 | XTS 4100-3 | 6410014507060 | 1000 | White | 4/240 |
| KKT301171 | XTS 4200-1 | 6410014500597 | 2000 | Grey | 4/240 |
| KKT301179 | XTS 4200-2 | 6410014506025 | 2000 | Black | 4/240 |
| KKT301185 | XTS 4200-3 | 6410014507077 | 2000 | White | 4/240 |
| KKT301111 | XTS 4300-1 | 6410014500856 | 3000 | Grey | 4/240 |
| KKT301119 | XTS 4300-2 | 6410014506032 | 3000 | Black | 4/240 |
| KKT301115 | XTS 4300-3 | 6410014507084 | 3000 | White | 4/240 |
| KKT301124 | XTS 4400-1 | 6410014500863 | 4000 | Grey | 4/240 |
| KKT301131 | XTS 4400-2 | 6410014506049 | 4000 | Black | 4/240 |
| KKT301136 | XTS 4400-3 | 6410014507091 | 4000 | White | 4/240 |

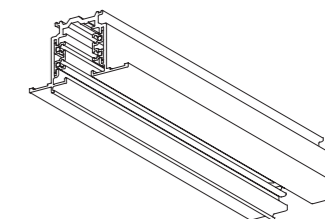
XTS 4100-4400 Surface



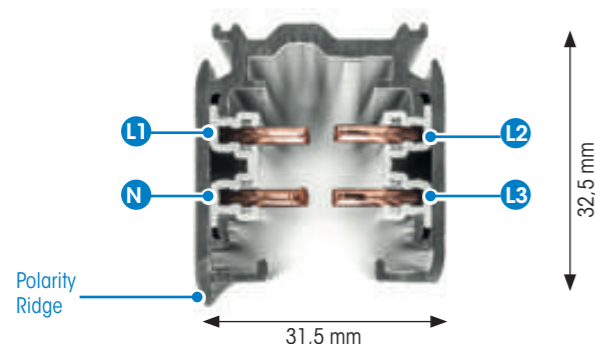
Recessed Tracks:

| Purchase Code | Type | EAN code | Length (mm) | Colour | PCS/Package |
|---------------|-------------|---------------|-------------|--------|-------------|
| KKT301194 | XTSF 4100-1 | 6410014500870 | 1000 | Grey | 6/180 |
| KKT3011100 | XTSF 4100-2 | 6410014506513 | 1000 | Black | 6/180 |
| KKT3011105 | XTSF 4100-3 | 6410014507565 | 1000 | White | 6/180 |
| KKT3011111 | XTSF 4200-1 | 6410014500597 | 2000 | Grey | 6/180 |
| KKT3011118 | XTSF 4200-2 | 6410014506520 | 2000 | Black | 6/180 |
| KKT3011123 | XTSF 4200-3 | 6410014507572 | 2000 | White | 6/180 |
| KKT3011130 | XTSF 4300-1 | 6410014500894 | 3000 | Grey | 6/180 |
| KKT3011137 | XTSF 4300-2 | 6410014506537 | 3000 | Black | 6/180 |
| KKT3011142 | XTSF 4300-3 | 6410014507589 | 3000 | White | 6/180 |

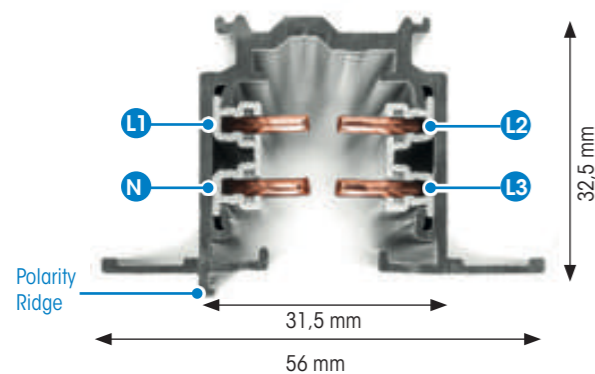
XTSF 4100-4300 Recessed



XTS Surface

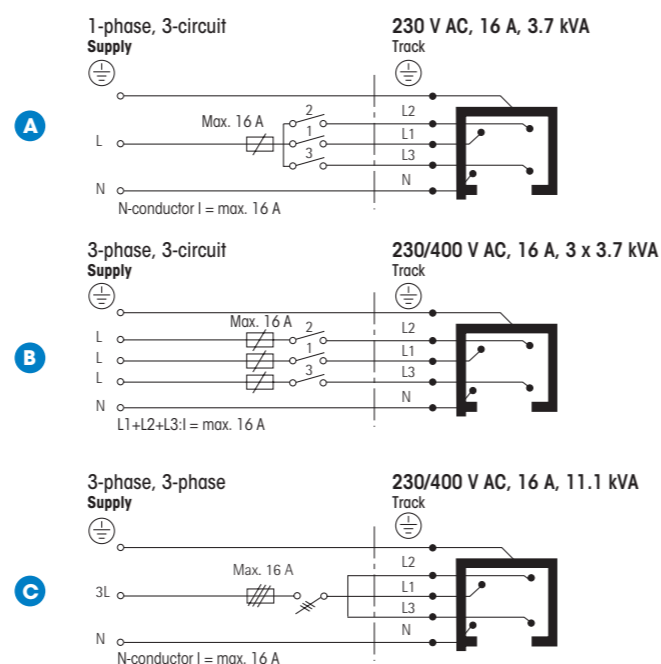


XTSF Recessed



GLOBAL Trac Pro

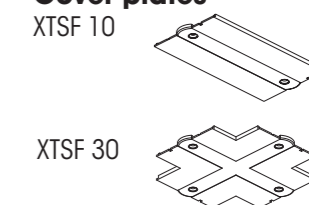
Power Conductor Cross-Section: 4,0mm²



Recessed Track Accessories:

| Purchase Code | Type | EAN code | Accessories | Colour | PCS/Package |
|---------------|-----------|---------------|-----------------------|--------|-------------|
| KKT3011101 | XTSF 10-1 | 6410014500412 | Cover plate: XTS11-14 | Grey | 1/100 |
| KKT3012180 | XTSF 10-2 | 6410014506612 | Cover plate: XTS11-14 | Black | 1/100 |
| KKT3012183 | XTSF 10-3 | 6410014507619 | Cover plate: XTS11-14 | White | 1/100 |
| KKT3011124 | XTSF 30-1 | 6410014500429 | Cover plate: XTS34-40 | Grey | 1/100 |
| KKT3012186 | XTSF 30-2 | 6410014506629 | Cover plate: XTS34-40 | Black | 1/100 |
| KKT3012189 | XTSF 30-3 | 6410014507626 | Cover plate: XTS34-40 | White | 1/100 |

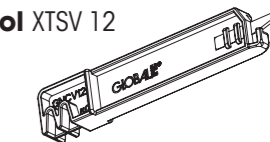
Cover plates



Bending tool for track power wires:

| Purchase Code | Type | EAN code | Colour | PCS/Package |
|---------------|--------|---------------|--------|-------------|
| KKT30155 | XTSV12 | 6410014500993 | Blue | 1/100 |

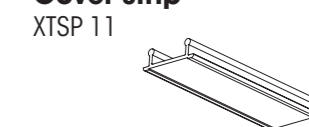
Tool XTSV 12



Cover strip for track opening:

| Purchase Code | Type | EAN code | Length | Colour | PCS/Package |
|---------------|----------|---------------|---------------|--------|-------------|
| KKT30152 | XTSP11-2 | 6410014530990 | Length 3000mm | Black | 10/100 |
| KKT30151 | XTSP11-3 | 6410014530983 | Length 3000mm | White | 10/100 |

Cover strip



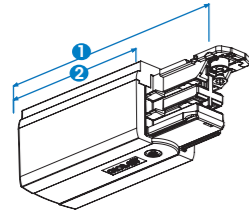
● Markets Strongest Power Carrying Track System - High Load Capacity

GLOBAL Trac Pro Accessories

All materials used are halogen free and VO-self-extinguishing.
Available colors: -1 grey (RAL 7040), -2 black (RAL 9005), -3 white (RAL 9016).

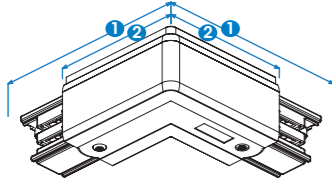
End feed XTS 11, 12

1. 105 mm, 2. 66 mm



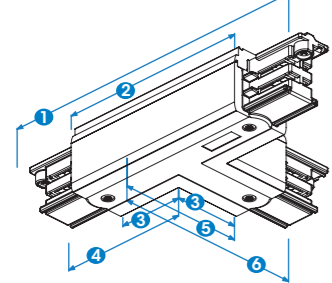
L-feed XTS 34, 35

1. 99 mm, 2. 66 mm



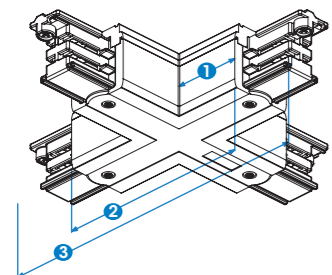
T-feed XTS 36, 37, 39, 40

1. 166 mm, 2. 100 mm, 3. 34 mm
4. 67 mm, 5. 66 mm, 6. 99 mm



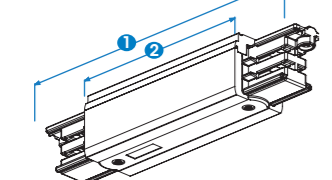
X-feed XTS 38

1. 34 mm, 2. 100 mm, 3. 166 mm



Middle feed XTS 14

1. 166 mm, 2. 100 mm



End Feeds:

| Purchase Code | Type | EAN code | Polarity Ridge | Colour | PCS/ Package |
|---------------|---------|---------------|----------------|--------|--------------|
| KKT30122 | XTS11-1 | 6410014507152 | | Grey | 1/100 |
| KKT30123 | XTS11-2 | 6410014506117 | | Black | 1/100 |
| KKT30129 | XTS11-3 | 6410014507114 | | White | 1/100 |
| KKT301218 | XTS12-1 | 6410014507169 | | Grey | 1/100 |
| KKT301219 | XTS12-2 | 6410014506124 | | Black | 1/100 |
| KKT301224 | XTS12-3 | 6410014507121 | | White | 1/100 |

Connectors with Power Supply Option:

| Purchase Code | Type | EAN code | Polarity Ridge | Colour | PCS/ Package |
|---------------|---------|---------------|----------------|--------|--------------|
| KKT301283 | XTS34-1 | 6410014507251 | | Grey | 1/25 |
| KKT301284 | XTS34-2 | 6410014506346 | | Black | 1/25 |
| KKT301289 | XTS34-3 | 6410014507343 | | White | 1/25 |
| KKT301296 | XTS35-1 | 6410014507268 | | Grey | 1/25 |
| KKT301297 | XTS35-2 | 6410014506353 | | Black | 1/25 |
| KKT3012102 | XTS35-3 | 6410014507350 | | White | 1/25 |

| Purchase Code | Type | EAN code | Polarity Ridge | Colour | PCS/ Package |
|---------------|---------|---------------|----------------|--------|--------------|
| KKT3012109 | XTS36-1 | 6410014507275 | | Grey | 1/25 |
| KKT3012110 | XTS36-2 | 6410014506360 | | Black | 1/25 |
| KKT3012115 | XTS36-3 | 6410014507367 | | White | 1/25 |
| KKT3012122 | XTS37-1 | 6410014507282 | | Grey | 1/25 |
| KKT3012123 | XTS37-2 | 6410014506377 | | Black | 1/25 |
| KKT3012127 | XTS37-3 | 6410014507374 | | White | 1/25 |
| KKT3012144 | XTS39-1 | 6410014507305 | | Grey | 1/25 |
| KKT3012145 | XTS39-2 | 6410014506391 | | Black | 1/25 |
| KKT3012149 | XTS39-3 | 6410014507398 | | White | 1/25 |
| KKT3012156 | XTS40-1 | 6410014507312 | | Grey | 1/25 |
| KKT3012157 | XTS40-2 | 6410014506407 | | Black | 1/25 |
| KKT3012161 | XTS40-3 | 6410014507404 | | White | 1/25 |

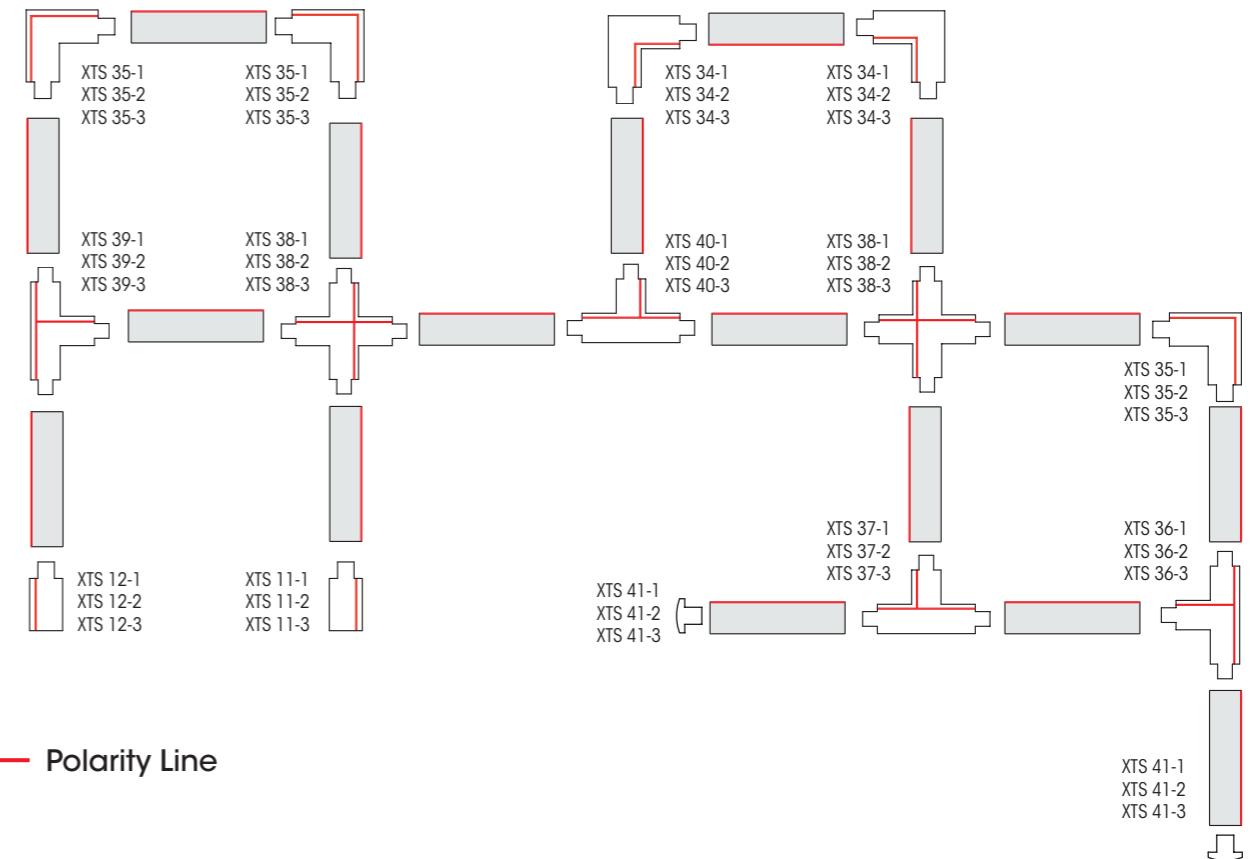
| Purchase Code | Type | EAN code | Polarity Ridge | Colour | PCS/ Package |
|---------------|---------|---------------|----------------|--------|--------------|
| KKT3012131 | XTS38-1 | 6410014507299 | | Grey | 1/25 |
| KKT3012132 | XTS38-2 | 6410014506384 | | Black | 1/25 |
| KKT3012136 | XTS38-3 | 6410014507381 | | White | 1/25 |

| Purchase Code | Type | EAN code | Colour | PCS/ Package |
|---------------|---------|---------------|--------|--------------|
| KKT301232 | XTS14-1 | 6410014507176 | Grey | 1/50 |
| KKT301233 | XTS14-2 | 6410014506148 | Black | 1/50 |
| KKT301233 | XTS14-3 | 6410014507145 | White | 1/50 |

● *Reliable Connectors with Minimal Voltage Drop*

Polarity in Trac Pro

Use of L-, T- and X- Feed. Red line indicates polarity ridge



— Polarity Line

Connectors without option for power supply:

| Purchase Code | Type | EAN code | Colour | PCS/ Package |
|---------------|---------|---------------|--------|--------------|
| KKT301245 | XTS21-1 | 6410014507183 | Grey | 1/100 |
| KKT301246 | XTS21-2 | 6410014506216 | Black | 1/100 |
| KKT301253 | XTS21-3 | 6410014507213 | White | 1/100 |

| Purchase Code | Type | EAN code | Colour | PCS/ Package |
|---------------|---------|---------------|--------|--------------|
| KKT301260 | XTS23-1 | 6410014507206 | Grey | 1/25 |
| KKT301261 | XTS23-2 | 6410014506230 | Black | 1/25 |
| KKT301265 | XTS23-3 | 6410014507237 | White | 1/25 |

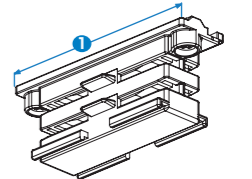
| Purchase Code | Type | EAN code | Colour | PCS/ Package |
|---------------|---------|---------------|--------|--------------|
| KKT301271 | XTS24-1 | 6410014507190 | Grey | 1/25 |
| KKT301272 | XTS24-2 | 6410014506247 | Black | 1/25 |
| KKT301276 | XTS24-3 | 6410014507244 | White | 1/25 |

End Cap:

| Purchase Code | Type | EAN code | Colour | PCS/ Package |
|---------------|---------|---------------|--------|--------------|
| KKT3012165 | XTS41-1 | 6410014507329 | Grey | 1/100 |
| KKT3012166 | XTS41-2 | 6410014506414 | Black | 1/100 |
| KKT3012172 | XTS41-3 | 6410014507411 | White | 1/100 |

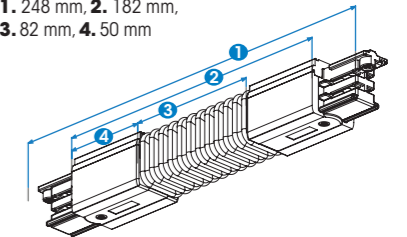
Straight connector

XTS 21
1. 68 mm



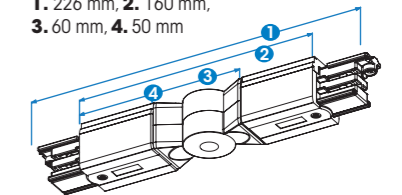
Flexible corner connector XTS 23

1. 248 mm, 2. 182 mm,
3. 82 mm, 4. 50 mm



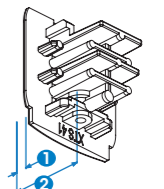
Adjustable corner connector XTS 24

1. 226 mm, 2. 160 mm,
3. 60 mm, 4. 50 mm



End cap XTS 41

1. 3 mm, 2. 21 mm



GLOBAL Trac Pulse control

GLOBAL Trac Pulse control is a lighting track system that includes both normal input voltage and wires for transmitting the control signal to the lights.

This makes it possible to use smart control systems like DALI, KNX, LON, and EIB without central units. Various manufacturers provide control units, detectors and fixtures for the control systems which all share the same goal: to transmit the control signal to individual lights using the GLOBAL Trac Pulse control's wires and to create dynamic lighting.

Needs-based lighting

Dynamic lighting means that the lighting changes according to the situation and need. Lights can be turned on and off, brightened or dimmed flexibly as separate groups. This also saves energy, because lights are only turned on where necessary.



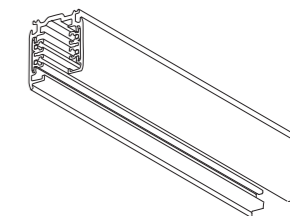
GLOBAL Trac Pulse control tracks

Available colours: -1 Global grey, -2 black (RAL 9005), -3 white (RAL 9016).

Surface Mounted Tracks:

| Purchase Code | Type | EAN code | Length (mm) | Colour | PCS/Package |
|---------------|------------|---------------|-------------|--------|-------------|
| KKT30511 | XTSC6100-1 | 6410014531423 | 1000 | Grey | 4/240 |
| KKT30512 | XTSC6100-2 | 6410014531430 | 1000 | Black | 4/240 |
| KKT30513 | XTSC6100-3 | 6410014531478 | 1000 | White | 4/240 |
| KKT30521 | XTSC6200-1 | 6410014531485 | 2000 | Grey | 4/240 |
| KKT30522 | XTSC6200-2 | 6410014531492 | 2000 | Black | 4/240 |
| KKT30523 | XTSC6200-3 | 6410014531508 | 2000 | White | 4/240 |
| KKT30531 | XTSC6300-1 | 6410014531515 | 3000 | Grey | 4/240 |
| KKT30532 | XTSC6300-2 | 6410014531522 | 3000 | Black | 4/240 |
| KKT30533 | XTSC6300-3 | 6410014531539 | 3000 | White | 4/240 |
| KKT30541 | XTSC6400-1 | 6410014531546 | 4000 | Grey | 4/240 |
| KKT30542 | XTSC6400-2 | 6410014531553 | 4000 | Black | 4/240 |
| KKT30543 | XTSC6400-3 | 6410014531560 | 4000 | White | 4/240 |

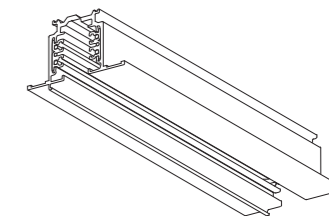
XTSC 6100-6400 Surface



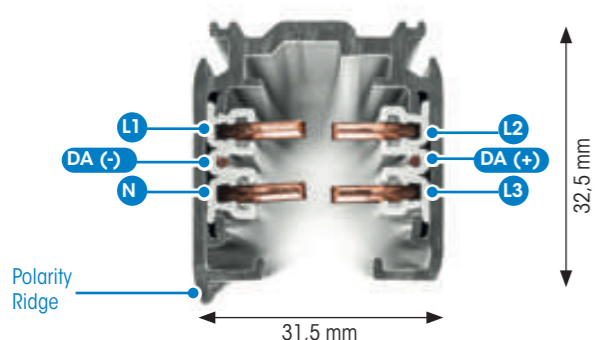
Recessed Tracks:

| Purchase Code | Type | EAN code | Length (mm) | Colour | PCS/Package |
|---------------|-------------|---------------|-------------|--------|-------------|
| KKT305011 | XTSCF6100-1 | 6410014531577 | 1000 | Grey | 6/180 |
| KKT305012 | XTSCF6100-2 | 6410014531584 | 1000 | Black | 6/180 |
| KKT305013 | XTSCF6100-3 | 6410014531591 | 1000 | White | 6/180 |
| KKT305021 | XTSCF6200-1 | 6410014531607 | 2000 | Grey | 6/180 |
| KKT305022 | XTSCF6200-2 | 6410014531614 | 2000 | Black | 6/180 |
| KKT305023 | XTSCF6200-3 | 6410014531621 | 2000 | White | 6/180 |
| KKT305031 | XTSCF6300-1 | 6410014531638 | 3000 | Grey | 6/180 |
| KKT305032 | XTSCF6300-2 | 6410014531645 | 3000 | Black | 6/180 |
| KKT305033 | XTSCF6300-3 | 6410014531683 | 3000 | White | 6/180 |

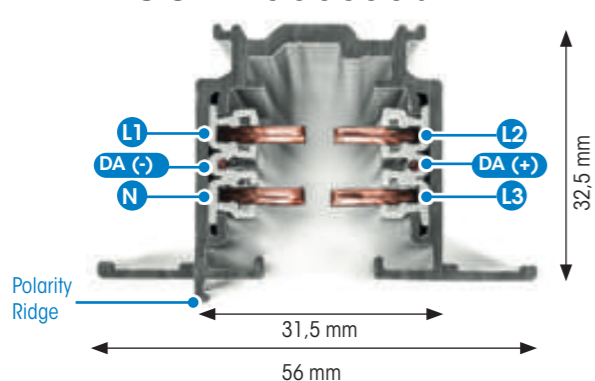
XTSCF 6100-6300 Recessed



XTSC Surface

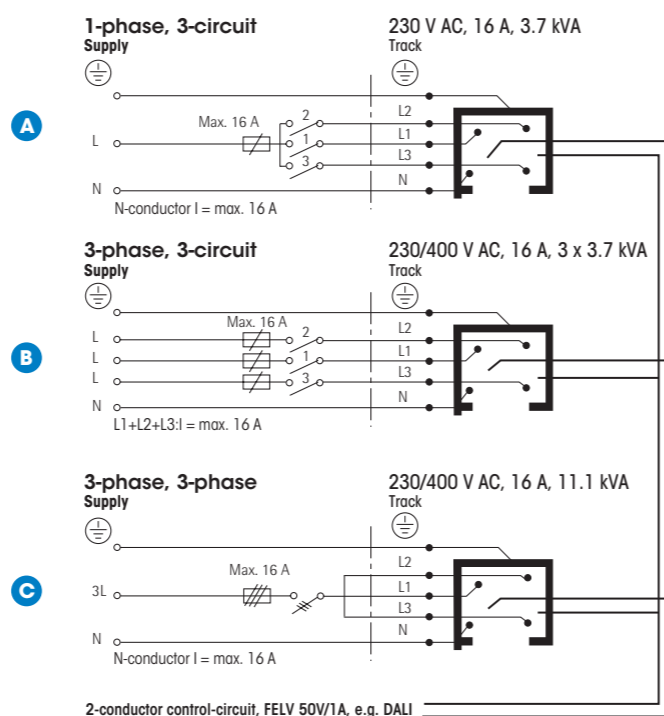


XTSCF Recessed



GLOBAL Trac Pulse control

Power Conductor Cross-Section: 4mm²
Control Conductor Cross-Section: 1,5mm²

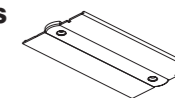


Control conductors, max 50V

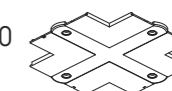
Recessed Track Accessories:

| Purchase Code | Type | EAN code | Description | Colour | PCS/Package |
|---------------|-----------|---------------|---------------------------|--------|-------------|
| KKT304101 | XTSF610-1 | 6410014532772 | Cover plate : XTSC611-614 | Grey | 1/100 |
| KKT304102 | XTSF610-2 | 6410014532802 | Cover plate : XTSC611-614 | Black | 1/100 |
| KKT304103 | XTSF610-3 | 6410014532819 | Cover plate : XTSC611-614 | White | 1/100 |
| KKT304301 | XTSF630-1 | 6410014532826 | Cover plate : XTSC634-640 | Grey | 1/100 |
| KKT304302 | XTSF630-2 | 6410014532833 | Cover plate : XTSC634-640 | Black | 1/100 |
| KKT304303 | XTSF630-3 | 6410014532840 | Cover plate : XTSC634-640 | White | 1/100 |

Cover plates XTSC 610



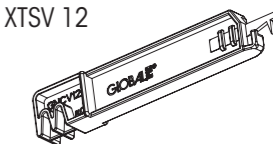
XTSF 630



Bending tool for track power wires:

| | | | | |
|----------|--------|---------------|------|-------|
| KKT30155 | XTSV12 | 6410014500993 | Blue | 1/100 |
|----------|--------|---------------|------|-------|

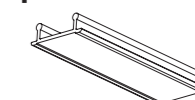
Tool XTSV 12



Cover strip for track opening:

| | | | | | |
|----------|----------|---------------|---------------|-------|--------|
| KKT30152 | XTSP11-2 | 6410014530990 | Length 3000mm | Black | 10/100 |
| KKT30151 | XTSP11-3 | 6410014530983 | Length 3000mm | White | 10/100 |

Cover strip XTSP 11

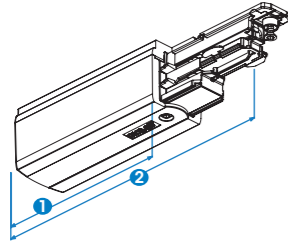


GLOBAL Trac Pulse control accessories

All materials are halogen free and VO self-extinguishing.
Available colours: -1 grey (RAL 7040), -2 black (RAL 9005), -3 white (RAL 9016).

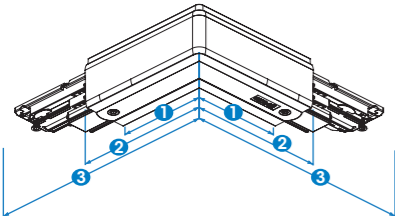
End feed XTSC 611, 612

1. 90 mm, 2. 155 mm



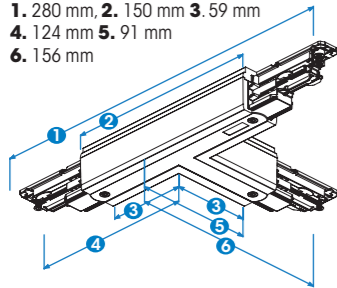
L-feed XTSNC 634, 635

1. 59 mm, 2. 91 mm 3. 156 mm



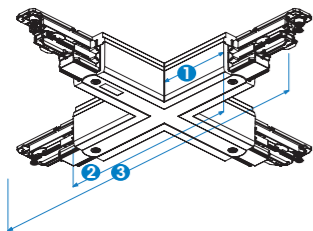
T-feed XTSNC 636, 637, 639, 640

1. 280 mm, 2. 150 mm 3. 59 mm
4. 124 mm 5. 91 mm
6. 156 mm



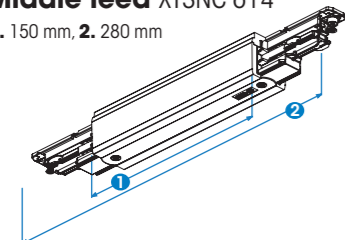
X-feed XTSNC 638

1. 59 mm, 2. 150 mm 3. 280 mm



Middle feed XTSNC 614

1. 150 mm, 2. 280 mm



End Feeds:

| Purchase Code | Type | EAN code | Polarity Ridge | Colour | PCS/ Package |
|---------------|-----------|---------------|----------------|--------|--------------|
| KKT305111 | XTSC611-1 | 6410014532376 | | Grey | 1/50 |
| KKT305112 | XTSC611-2 | 6410014532383 | | Black | 1/50 |
| KKT305113 | XTSC611-3 | 6410014532390 | | White | 1/50 |
| KKT305121 | XTSC612-1 | 6410014532406 | | Grey | 1/50 |
| KKT305122 | XTSC612-2 | 6410014532413 | | Black | 1/50 |
| KKT305123 | XTSC612-3 | 6410014532420 | | White | 1/50 |

Connectors with Power Supply Option:

| Purchase Code | Type | EAN code | Polarity Ridge | Colour | PCS/ Package |
|---------------|------------|---------------|----------------|--------|--------------|
| KKT3053412 | XTSNC634-1 | 6410014501006 | | Grey | 1/25 |
| KKT3053422 | XTSNC634-2 | 6410014501013 | | Black | 1/25 |
| KKT3053432 | XTSNC634-3 | 6410014501020 | | White | 1/25 |
| KKT3053512 | XTSNC635-1 | 6410014501037 | | Grey | 1/25 |
| KKT3053522 | XTSNC635-2 | 6410014501044 | | Black | 1/25 |
| KKT3053532 | XTSNC635-3 | 6410014501051 | | White | 1/25 |

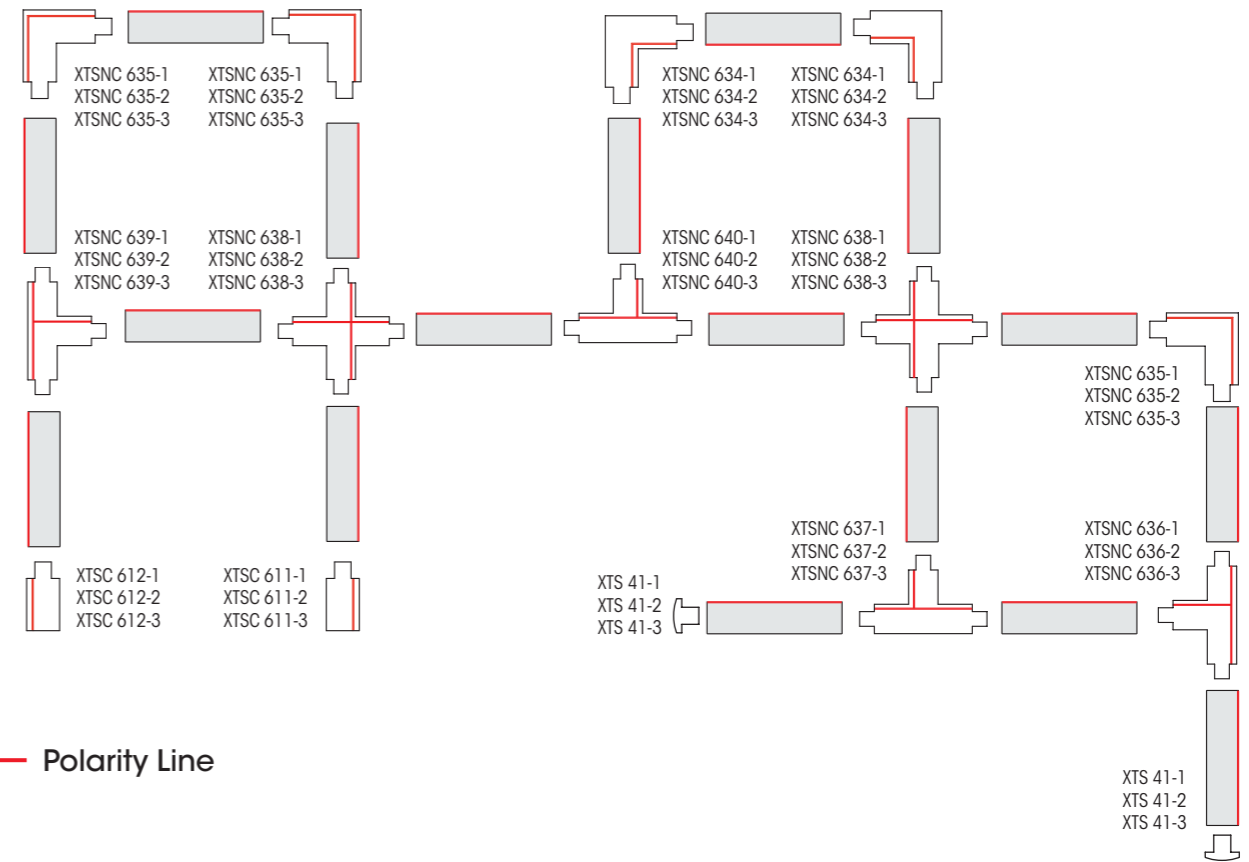
| Purchase Code | Type | EAN code | Polarity Ridge | Colour | PCS/ Package |
|---------------|------------|---------------|----------------|--------|--------------|
| KKT3053612 | XTSNC636-1 | 6410014501068 | | Grey | 1/20 |
| KKT3053622 | XTSNC636-2 | 6410014501075 | | Black | 1/20 |
| KKT3053632 | XTSNC636-3 | 6410014501082 | | White | 1/20 |
| KKT3053712 | XTSNC637-1 | 6410014501099 | | Grey | 1/20 |
| KKT3053722 | XTSNC637-2 | 6410014501105 | | Black | 1/20 |
| KKT3053732 | XTSNC637-3 | 6410014501112 | | White | 1/20 |
| KKT3053912 | XTSNC639-1 | 6410014501129 | | Grey | 1/20 |
| KKT3053922 | XTSNC639-2 | 6410014501136 | | Black | 1/20 |
| KKT3053932 | XTSNC639-3 | 6410014501143 | | White | 1/20 |
| KKT3054012 | XTSNC640-1 | 6410014501150 | | Grey | 1/20 |
| KKT3054022 | XTSNC640-2 | 6410014501167 | | Black | 1/20 |
| KKT3054032 | XTSNC640-3 | 6410014501174 | | White | 1/20 |

| Purchase Code | Type | EAN code | Polarity Ridge | Colour | PCS/ Package |
|---------------|------------|---------------|----------------|--------|--------------|
| KKT3053812 | XTSNC638-1 | 6410014501181 | | Grey | 1/10 |
| KKT3053822 | XTSNC638-2 | 6410014501198 | | Black | 1/10 |
| KKT3053832 | XTSNC638-3 | 6410014501204 | | White | 1/10 |

| Purchase Code | Type | EAN code | Colour | PCS/ Package |
|---------------|------------|---------------|--------|--------------|
| KKT3051412 | XTSNC614-1 | 6410014501211 | Grey | 1/25 |
| KKT3051422 | XTSNC614-2 | 6410014501228 | Black | 1/25 |
| KKT3051432 | XTSNC614-3 | 6410014501235 | White | 1/25 |

Polarity in Trac Pulse

Use of L-, T- and X- Feed. Red line indicates polarity ridge



— Polarity Line

Connectors without option for power supply:

| Purchase Code | Type | EAN code | Colour | PCS/ Package |
|---------------|-----------|---------------|--------|--------------|
| KKT304211 | XTSC621-1 | 6410014532109 | Grey | 1/100 |
| KKT304212 | XTSC621-2 | 6410014532116 | Black | 1/100 |
| KKT304213 | XTSC621-3 | 6410014532123 | White | 1/100 |

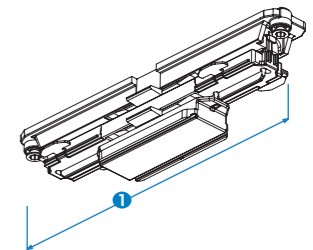
| | | | | |
|-----------|-----------|---------------|-------|------|
| KKT305231 | XTSC623-1 | 6410014532130 | Grey | 1/25 |
| KKT305232 | XTSC623-2 | 6410014532147 | Black | 1/25 |
| KKT305233 | XTSC623-3 | 6410014532154 | White | 1/25 |

End Cap:

| | | | | |
|------------|---------|---------------|-------|-------|
| KKT3012165 | XTS41-1 | 6410014507329 | Grey | 1/100 |
| KKT3012166 | XTS41-2 | 6410014506414 | Black | 1/100 |
| KKT3012172 | XTS41-3 | 6410014507411 | White | 1/100 |

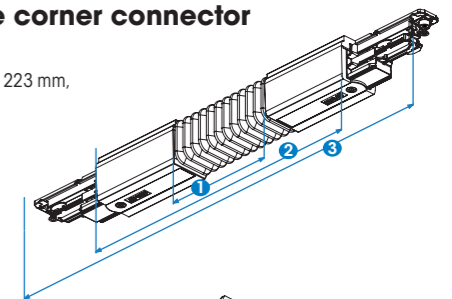
Straight connector

XTSC 621
1. 120 mm



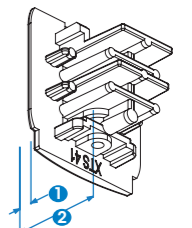
Flexible corner connector

XTSC 623
1. 82 mm, 2. 223 mm,
3. 353 mm



End cap XTS 41

1. 3 mm, 2. 21 mm



● Flexibility - Enabling Energy Savings

GLOBAL Trac Base



GLOBAL Trac Base is a compact, elegant looking one-circuit basic track. The compact track is light to handle and simple to install. Diverse installation options are part of the package. Quick and easy installation results in overall cost savings.

Wide area of use from homes to exhibition stands

GLOBAL Trac Base is for places where the discrete and elegant appearance of the one-circuit track is most useful: homes, shop windows and exhibition structures.

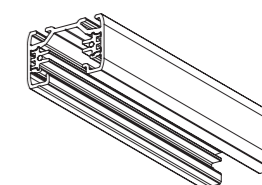
GLOBAL Trac Base Tracks

Available colours: -1 Global grey, -2 black (RAL 9005), -3 white (RAL 9016).

Surface Mounted Tracks:

| Purchase Code | Type | EAN code | Length (mm) | Colour | PCS/Package |
|---------------|----------|---------------|-------------|--------|-------------|
| KKT30313 | GB2100-1 | 6410014509019 | 1000 | Grey | 8/480 |
| KKT30317 | GB2100-2 | 6410014508012 | 1000 | Black | 8/480 |
| KKT303111 | GB2100-3 | 6410014509064 | 1000 | White | 8/480 |
| KKT303121 | GB2200-1 | 6410014509026 | 2000 | Grey | 8/480 |
| KKT303125 | GB2200-2 | 6410014508029 | 2000 | Black | 8/480 |
| KKT303129 | GB2200-3 | 6410014509071 | 2000 | White | 8/480 |
| KKT303136 | GB2300-1 | 6410014509033 | 3000 | Grey | 8/480 |
| KKT303140 | GB2300-2 | 6410014508036 | 3000 | Black | 8/480 |
| KKT303144 | GB2300-3 | 6410014509088 | 3000 | White | 8/480 |

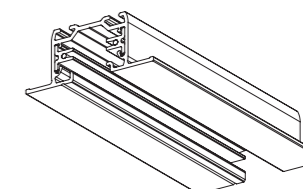
GB
2100-2300
Surface



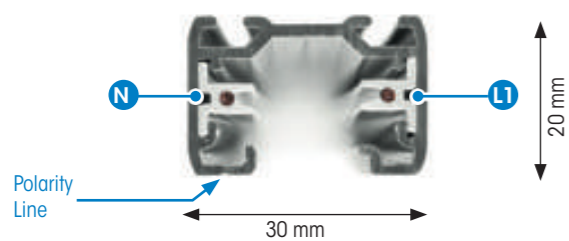
Recessed Tracks:

| Purchase Code | Type | EAN code | Length (mm) | Colour | PCS/Package |
|---------------|-----------|---------------|-------------|--------|-------------|
| KKT303169 | GBF2100-1 | 6410014509866 | 1000 | Grey | 6/180 |
| KKT303172 | GBF2100-2 | 6410014508913 | 1000 | Black | 6/180 |
| KKT303174 | GBF2100-3 | 6410014509910 | 1000 | White | 6/180 |
| KKT303177 | GBF2200-1 | 6410014509873 | 2000 | Grey | 6/180 |
| KKT303180 | GBF2200-2 | 6410014508920 | 2000 | Black | 6/180 |
| KKT303182 | GBF2200-3 | 6410014509927 | 2000 | White | 6/180 |
| KKT303185 | GBF2300-1 | 6410014509880 | 3000 | Grey | 6/180 |
| KKT303188 | GBF2300-2 | 6410014508937 | 3000 | Black | 6/180 |
| KKT303190 | GBF2300-3 | 6410014509934 | 3000 | White | 6/180 |

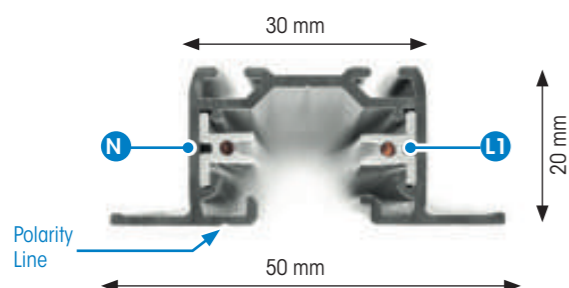
GBF
2100-2300
Recessed



GB Surface



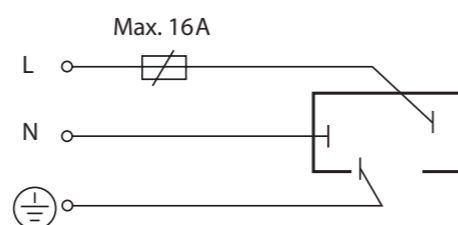
GBF Recessed



GLOBAL Trac Base

Power Conductor Cross-Section: 2,5mm²

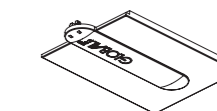
Connection
230 V AC, 16 A, 3.7 kW



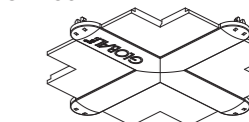
Recessed Track Accessories:

| Purchase Code | Type | EAN code | Accessories | Colour | PCS/Package |
|---------------|---------|---------------|-----------------------|--------|-------------|
| KKT303281 | GBF10-1 | 6410014501518 | Cover plate : GB11-12 | Grey | 1/100 |
| KKT303273 | GBF10-2 | 6410014508821 | Cover plate : GB11-12 | Black | 1/100 |
| KKT303274 | GBF10-3 | 6410014509828 | Cover plate : GB11-12 | White | 1/100 |
| KKT303271 | GBF30-1 | 6410014501525 | Cover plate : GB14-40 | Grey | 1/100 |
| KKT303275 | GBF30-2 | 6410014508838 | Cover plate : GB14-40 | Black | 1/100 |
| KKT303276 | GBF30-3 | 6410014509835 | Cover plate : GB14-40 | White | 1/100 |

Outlet cover plate
GBF 10



GBF 30



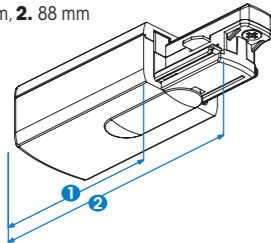
- *Lightweight but Durable*

Global Trac Base accessories

All materials are halogen free and VO self-extinguishing.
Available colours: -1 grey (RAL 7040), -2 black (RAL 9005), -3 white (RAL 9016).

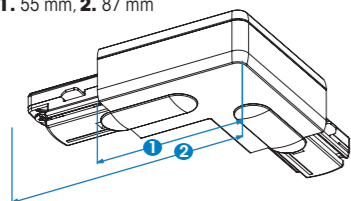
End feed GB 11, 12

1. 55 mm, 2. 88 mm



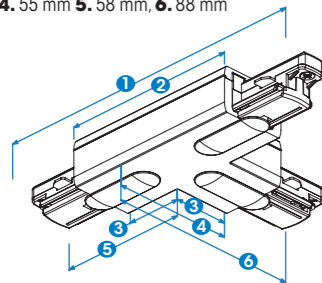
L-feed GB 34, 35

1. 55 mm, 2. 87 mm



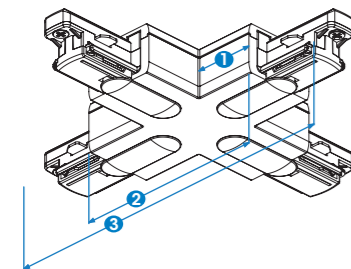
T-feed GB 36, 37, 39, 40

1. 145 mm, 2. 80 mm, 3. 25 mm,
4. 55 mm, 5. 58 mm, 6. 88 mm



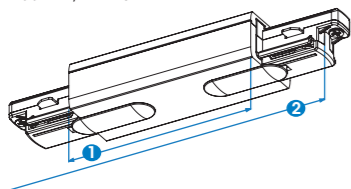
X-feed GB 38

1. 25 mm, 2. 80 mm, 3. 145 mm



Middle feed GB 14

1. 80 mm, 2. 145 mm



End Feeds:

| Purchase Code | Type | EAN code | Polarity Ridge | Colour | PCS/Package |
|---------------|--------|---------------|----------------|--------|-------------|
| KKT30321 | GB11-1 | 6410014509156 | | Grey | 1/100 |
| KKT30322 | GB11-2 | 6410014508111 | | Black | 1/100 |
| KKT30324 | GB11-3 | 6410014509118 | | White | 1/100 |
| KKT303210 | GB12-1 | 6410014509163 | | Grey | 1/100 |
| KKT303211 | GB12-2 | 6410014508128 | | Black | 1/100 |
| KKT303213 | GB12-3 | 6410014509125 | | White | 1/100 |

Global Trac Base connectors with power supply option:

| | | | | | |
|-----------|--------|---------------|--|-------|------|
| KKT303230 | GB34-1 | 6410014509255 | | Grey | 1/25 |
| KKT303231 | GB34-2 | 6410014508340 | | Black | 1/25 |
| KKT303233 | GB34-3 | 6410014509347 | | White | 1/25 |
| KKT303235 | GB35-1 | 6410014509262 | | Grey | 1/25 |
| KKT303236 | GB35-2 | 6410014508357 | | Black | 1/25 |
| KKT303238 | GB35-3 | 6410014509354 | | White | 1/25 |

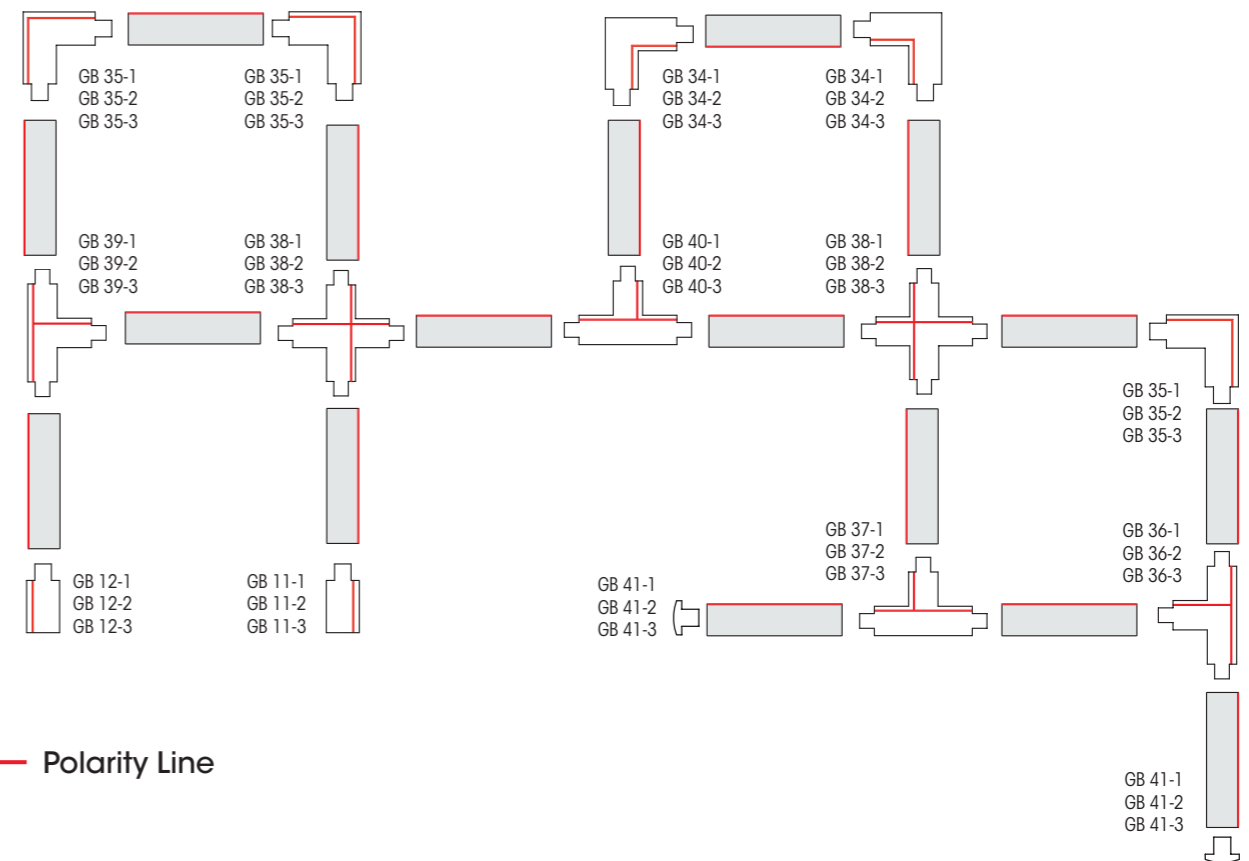
| | | | | | |
|-----------|--------|---------------|--|-------|------|
| KKT303240 | GB36-1 | 6410014509279 | | Grey | 1/25 |
| KKT303241 | GB36-2 | 6410014508364 | | Black | 1/25 |
| KKT303243 | GB36-3 | 6410014509361 | | White | 1/25 |
| KKT303245 | GB37-1 | 6410014509286 | | Grey | 1/25 |
| KKT303246 | GB37-2 | 6410014508371 | | Black | 1/25 |
| KKT303248 | GB37-3 | 6410014509378 | | White | 1/25 |
| KKT303255 | GB39-1 | 6410014509309 | | Grey | 1/25 |
| KKT303256 | GB39-2 | 6410014508395 | | Black | 1/25 |
| KKT303258 | GB39-3 | 6410014509392 | | White | 1/25 |
| KKT303260 | GB40-1 | 6410014509316 | | Grey | 1/25 |
| KKT303261 | GB40-2 | 6410014508401 | | Black | 1/25 |
| KKT303263 | GB40-3 | 6410014509408 | | White | 1/25 |

| | | | | | |
|-----------|--------|---------------|--|-------|------|
| KKT303250 | GB38-1 | 6410014509293 | | Grey | 1/25 |
| KKT303251 | GB38-2 | 6410014508388 | | Black | 1/25 |
| KKT303253 | GB38-3 | 6410014509385 | | White | 1/25 |

| | | | | |
|-----------|--------|---------------|-------|------|
| KKT303215 | GB14-1 | 6410014509170 | Grey | 1/50 |
| KKT303216 | GB14-2 | 6410014508142 | Black | 1/50 |
| KKT303218 | GB14-3 | 6410014509149 | White | 1/50 |

Polarity in Base Trac

Use of L-, T- and X- Feed. Red line indicates polarity ridge



Connectors without option for power supply:

| Purchase Code | Type | EAN code | Colour | PCS/Package |
|---------------|--------|---------------|--------|-------------|
| KKT303220 | GB21-1 | 6410014509187 | Grey | 1/100 |
| KKT303221 | GB21-2 | 6410014508210 | Black | 1/100 |
| KKT303223 | GB21-3 | 6410014509217 | White | 1/100 |

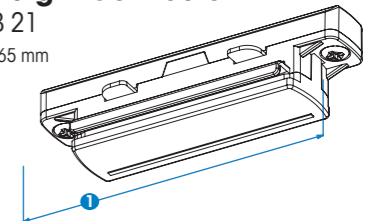
| | | | | |
|-----------|--------|---------------|-------|------|
| KKT303225 | GB24-1 | 6410014509194 | Grey | 1/25 |
| KKT303226 | GB24-2 | 6410014508241 | Black | 1/25 |
| KKT303228 | GB24-3 | 6410014509248 | White | 1/25 |

End Cap:

| | | | | |
|-----------|--------|---------------|-------|-------|
| KKT303265 | GB41-1 | 6410014509323 | Grey | 1/100 |
| KKT303266 | GB41-2 | 6410014508418 | Black | 1/100 |
| KKT303268 | GB41-3 | 6410014509415 | White | 1/100 |

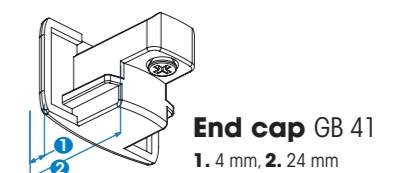
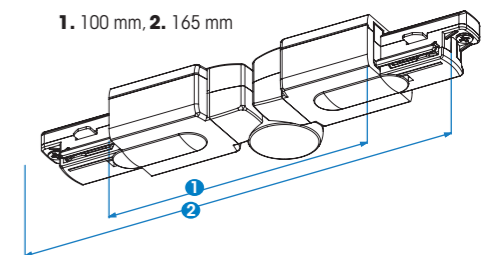
Straight Connector

GB 21
1. 65 mm



Adjustable corner connector GB 24

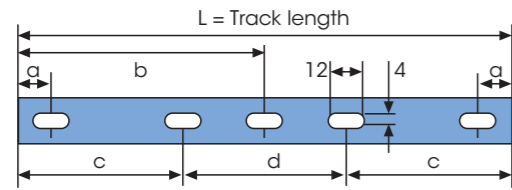
1. 100 mm, 2. 165 mm



● Flexible & Affordable

Global Trac Suspension parts Pro & Pulse

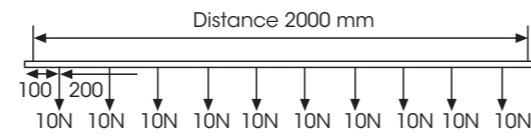
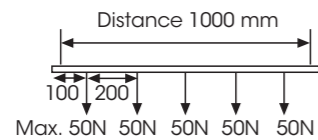
Predrilled Mounting Holes for Pro & Pulse Tracks:



*Screw diameter max. 4mm

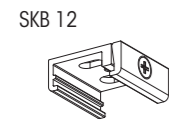
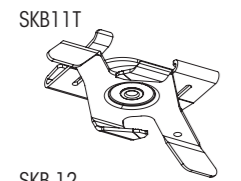
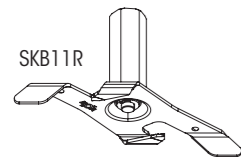
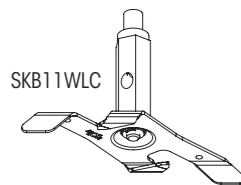
| L/mm | a/mm | b/mm | c/mm | d/mm |
|------|------|------|------|------|
| 1000 | 250 | 1000 | 1000 | 1000 |
| 2000 | 250 | | | |
| 3000 | 250 | | | |
| 4000 | 250 | | | |

Load Capacity:



The Recommended fastening distance is 1000 mm

Track Mounting Clamps (PRO, PULSE -Series):



| Purchase Code | Type | EAN code | Description | Fmax | Colour | PCS/ Package |
|---------------|------------|---------------|---|------|--------|--------------|
| KKT3014320 | SKB11WLC-1 | 6410014500634 | Clip with height adjust for wire OD 1.3-2.4mm | 150N | Grey | 20/200 |
| KKT3014321 | SKB11WLC-2 | 6410014500641 | Clip with height adjust for wire OD 1.3-2.4mm | 150N | Black | 20/200 |
| KKT3014322 | SKB11WLC-3 | 6410014500658 | Clip with height adjust for wire OD 1.3-2.4mm | 150N | White | 20/200 |
| KKT3014311 | SKB11R-1 | 6410014500665 | Clip with M6 mounting | 150N | Grey | 20/200 |
| KKT3014312 | SKB11R-2 | 6410014500672 | Clip with M6 mounting | 150N | Black | 20/200 |
| KKT3014313 | SKB11R-3 | 6410014500689 | Clip with M6 mounting | 150N | White | 20/200 |
| KKT3014157 | SKB11T-1 | 6410014500603 | Clip for T-Bar | 50N | Grey | 20/200 |
| KKT3014158 | SKB11T-2 | 6410014500610 | Clip for T-Bar | 50N | Black | 20/200 |
| KKT3014159 | SKB11T-3 | 6410014500627 | Clip for T-Bar | 50N | White | 20/200 |
| KKT30143 | SKB12-1 | 6410014500511 | Clamp for Rod and Wire | 200N | Grey | 20/200 |
| KKT301411 | SKB12-2 | 6410014520564 | Clamp for Rod and Wire | 200N | Black | 20/200 |
| KKT301414 | SKB12-3 | 6410014530518 | Clamp for Rod and Wire | 200N | White | 20/200 |
| KKT3014141 | SKB12H-1 | 6410014522629 | Clamp height 29mm | 200N | Grey | 100 |
| KKT3014152 | SKB12H-2 | 6410014522636 | Clamp height 29mm | 200N | Black | 100 |
| KKT3014142 | SKB12H-3 | 6410014522643 | Clamp height 29mm | 200N | White | 100 |

Track Mounting Clamps (PRO, PULSE -Series):

| Purchase Code | Type | EAN code | Description | Fmax | Colour | PCS/ Package |
|---------------|---------|---------------|------------------|------|--------|--------------|
| KKT301421 | SKB16-1 | 6410014500535 | Suspension clamp | 200N | Grey | 20/200 |
| KKT3014135 | SKB16-2 | 6410014522650 | Suspension clamp | 200N | Black | 20/200 |
| KKT301427 | SKB16-3 | 6410014530532 | Suspension clamp | 200N | White | 20/200 |

| | | | | | | |
|------------|---------|---------------|------------------|------|-------|-------|
| KKT301429 | SKB18-1 | 6410014500559 | Suspension clamp | 200N | Grey | 10/50 |
| KKT3014139 | SKB18-2 | 6410014522667 | Suspension clamp | 200N | Black | 10/50 |
| KKT301435 | SKB18-3 | 6410014530556 | Suspension clamp | 200N | White | 10/50 |

| | | | | | | |
|-----------|---------|---------------|------------|------|------|------|
| KKT301438 | SKB21-1 | 6410014500740 | Wall clamp | 100N | Grey | 5/50 |
|-----------|---------|---------------|------------|------|------|------|

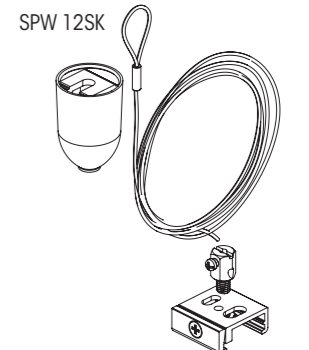
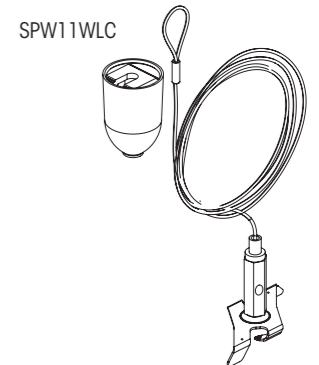
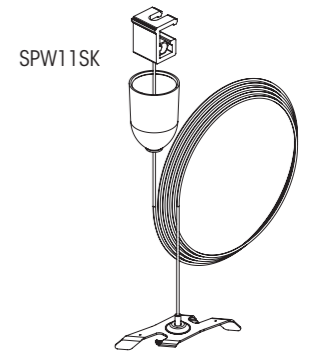
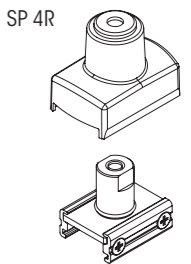
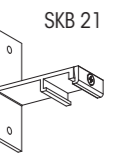
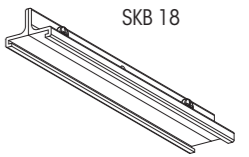
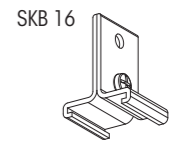
| | | | | | | |
|-----------|--------|---------------|------------------------|------|-------|-------|
| KKT301481 | SP4R-1 | 6410014507688 | Clamp with M6 mounting | 200N | Grey | 1/100 |
| KKT301482 | SP4R-2 | 6410014506919 | Clamp with M6 mounting | 200N | Black | 1/100 |
| KKT301484 | SP4R-3 | 6410014507916 | Clamp with M6 mounting | 200N | White | 1/100 |

Wire Suspension Sets (PRO, PULSE -Series):

| Purchase Code | Type | EAN code | Description | Fmax | Colour | PCS/ Package |
|---------------|----------------|---------------|--------------------------|------|--------|--------------|
| KKT315489 | SPW11SK-1/1,5M | 6410014500696 | Track clip wire set 1.5m | 150N | Grey | 1/100 |
| KKT315492 | SPW11SK-1/3M | 6410014500764 | Track clip wire set 3m | 150N | Grey | 1/100 |
| KKT315495 | SPW11SK-1/5M | 6410014500825 | Track clip wire set 5m | 150N | Grey | 1/100 |
| KKT315490 | SPW11SK-2/1,5M | 6410014500719 | Track clip wire set 1.5m | 150N | Black | 1/100 |
| KKT315493 | SPW11SK-2/3M | 6410014500771 | Track clip wire set 3m | 150N | Black | 1/100 |
| KKT315496 | SPW11SK-2/5M | 6410014500832 | Track clip wire set 5m | 150N | Black | 1/100 |
| KKT315491 | SPW11SK-3/1,5M | 6410014500733 | Track clip wire set 1.5m | 150N | White | 1/100 |
| KKT315494 | SPW11SK-3/3M | 6410014500788 | Track clip wire set 3m | 150N | White | 1/100 |
| KKT315497 | SPW11SK-3/5M | 6410014500849 | Track clip wire set 5m | 150N | White | 1/100 |

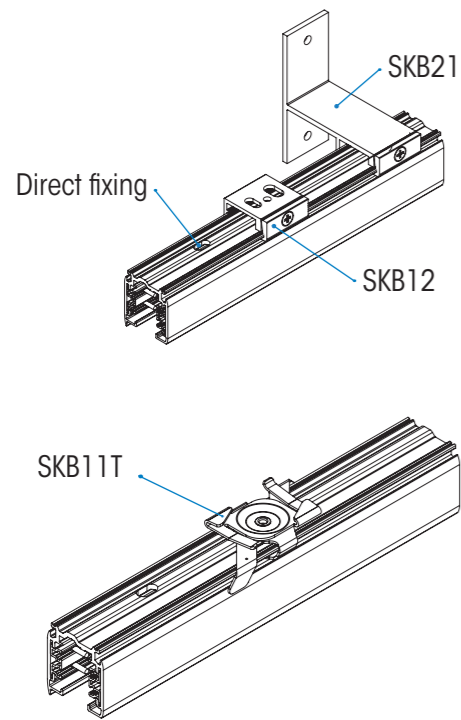
| | | | | | | |
|-----------|-----------------|---------------|--------------------------|------|-------|-------|
| KKT315507 | SPW11WLC-1/1,5M | 6410014501945 | Track clip wire set 1.5m | 150N | Grey | 1/100 |
| KKT315499 | SPW11WLC-1/3M | 6410014501952 | Track clip wire set 3m | 150N | Grey | 1/100 |
| KKT315510 | SPW11WLC-1/5M | 6410014501969 | Track clip wire set 5m | 150N | Grey | 1/100 |
| KKT315508 | SPW11WLC-2/1,5M | 6410014501976 | Track clip wire set 1.5m | 150N | Black | 1/100 |
| KKT315500 | SPW11WLC-2/3M | 6410014501983 | Track clip wire set 3m | 150N | Black | 1/100 |
| KKT315511 | SPW11WLC-2/5M | 6410014501990 | Track clip wire set 5m | 150N | Black | 1/100 |
| KKT315509 | SPW11WLC-3/1,5M | 6410014502003 | Track clip wire set 1.5m | 150N | White | 1/100 |
| KKT315501 | SPW11WLC-3/3M | 6410014502010 | Track clip wire set 3m | 150N | White | 1/100 |
| KKT315512 | SPW11WLC-3/5M | 6410014502027 | Track clip wire set 5m | 150N | White | 1/100 |

| | | | | | | |
|-----------|----------------|---------------|---------------------------|------|-------|-------|
| KKT315478 | SPW12SK-1/1,5M | 6410014522964 | Track clamp wire set 1.5m | 150N | Grey | 1/100 |
| KKT315481 | SPW12SK-1/3M | 6410014500061 | Track clamp wire set 3m | 150N | Grey | 1/100 |
| KKT315484 | SPW12SK-1/5M | 6410014500078 | Track clamp wire set 5m | 150N | Grey | 1/100 |
| KKT315479 | SPW12SK-2/1,5M | 6410014522971 | Track clamp wire set 1.5m | 150N | Black | 1/100 |
| KKT315482 | SPW12SK-2/3M | 6410014500085 | Track clamp wire set 3m | 150N | Black | 1/100 |
| KKT315485 | SPW12SK-2/5M | 6410014500092 | Track clamp wire set 5m | 150N | Black | 1/100 |
| KKT315480 | SPW12SK-3/1,5M | 6410014522988 | Track clamp wire set 1.5m | 150N | White | 1/100 |
| KKT315483 | SPW12SK-3/3M | 6410014500108 | Track clamp wire set 3m | 150N | White | 1/100 |
| KKT315486 | SPW12SK-3/5M | 6410014500115 | Track clamp wire set 5m | 150N | White | 1/100 |



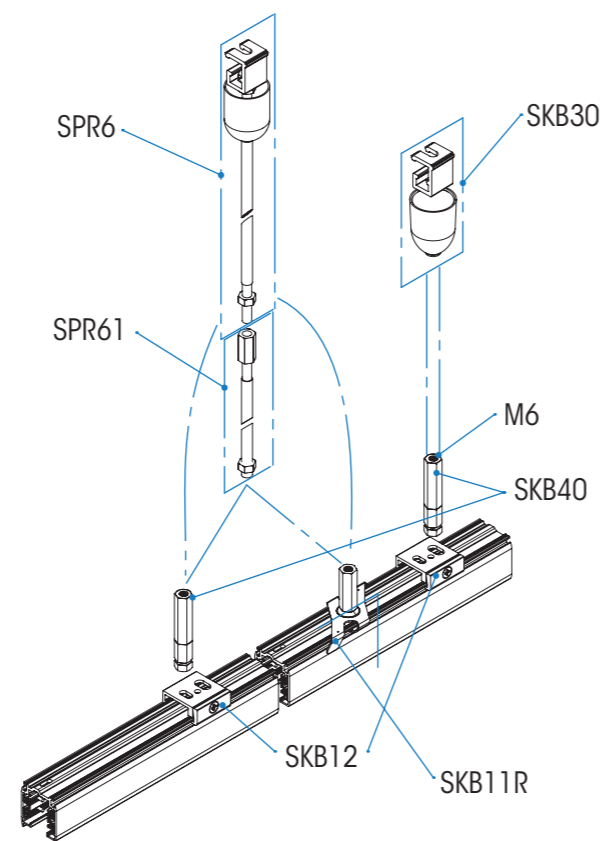
Global Trac Pro & Pulse – Suspension Options

Direct

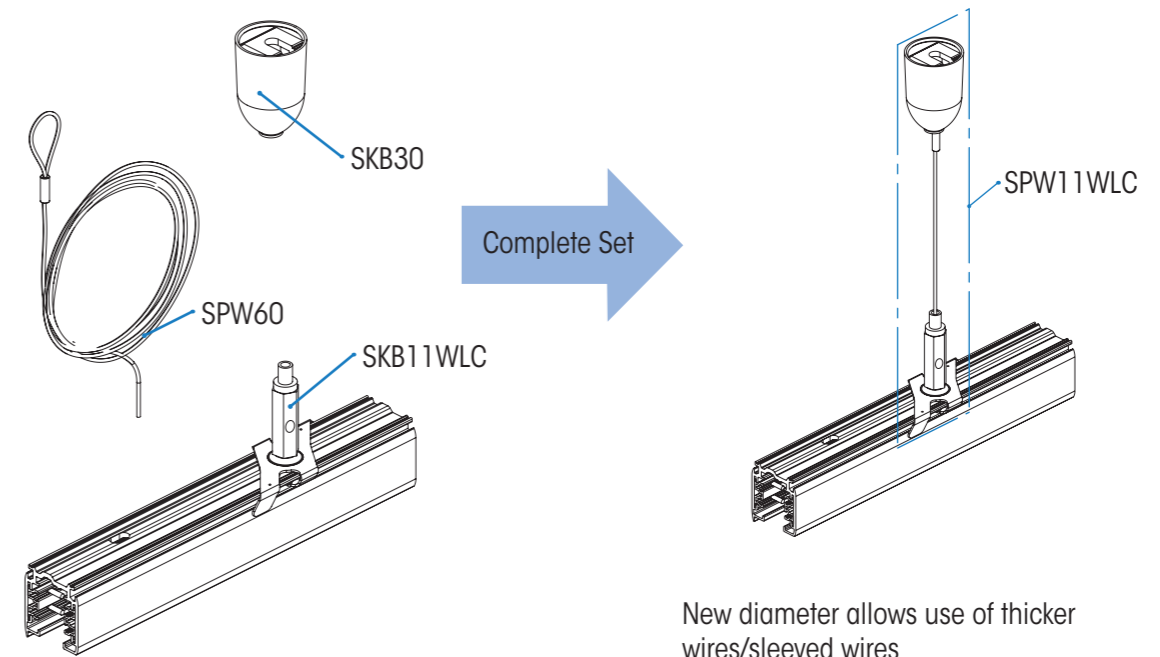


Fmax 50N / Track clip only, T-bar according to the manufacturer. Recommended distance between clips 750mm

Rod Suspension



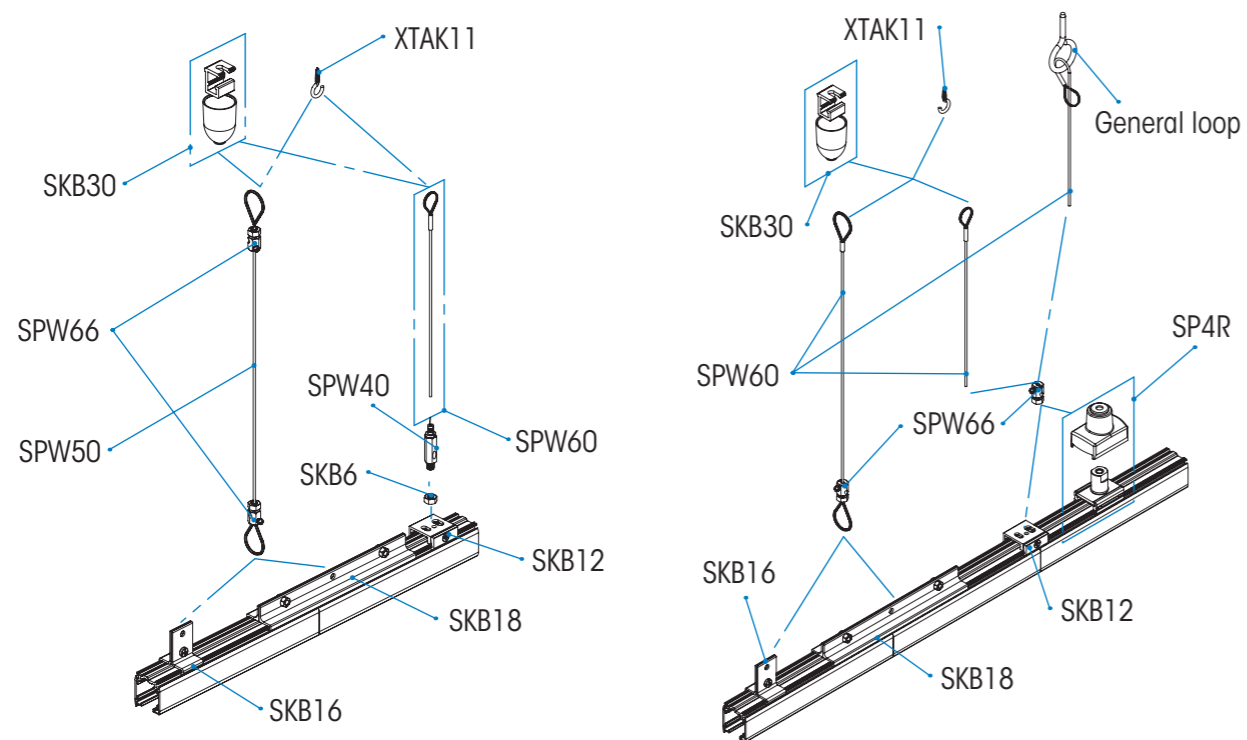
Wire Suspension set



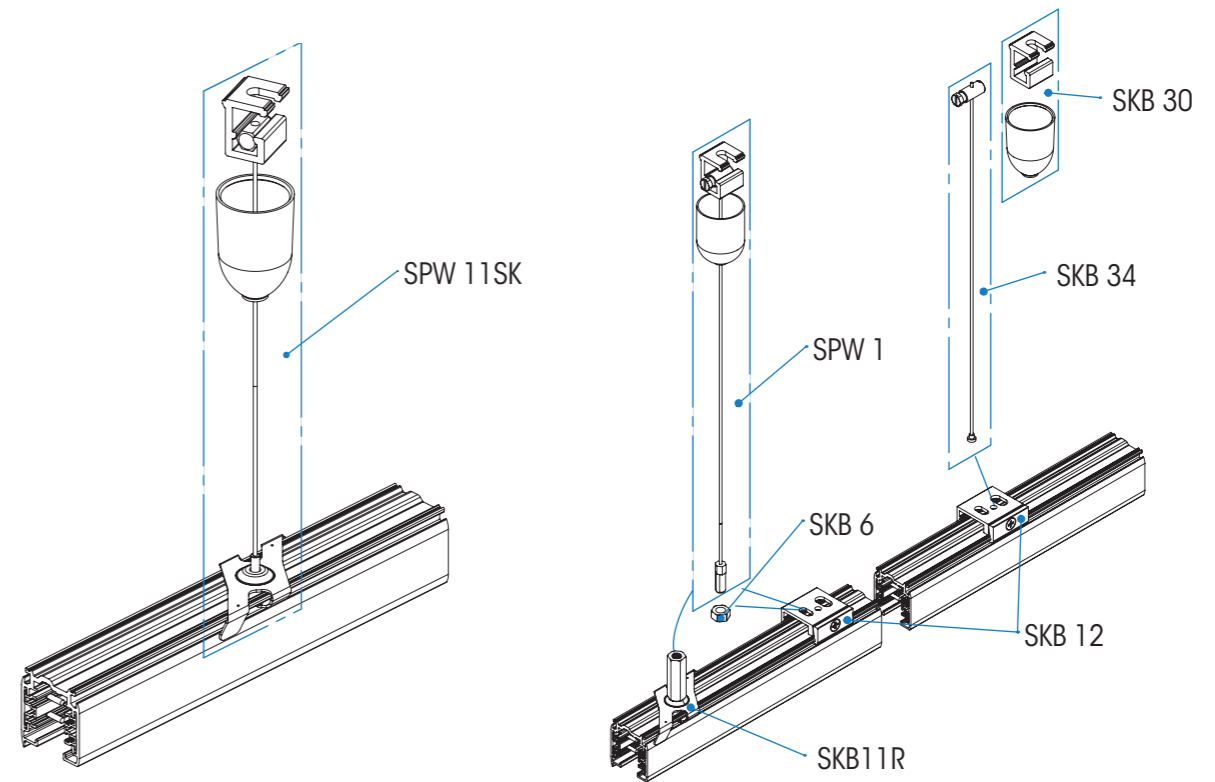
New diameter allows use of thicker wires/sleeved wires

Fmax 100N Steel wire with plastic sleeve 1.0 - 2.4 mm
Fmax 150N Steel twisted wire 1.3 - 2.4 mm

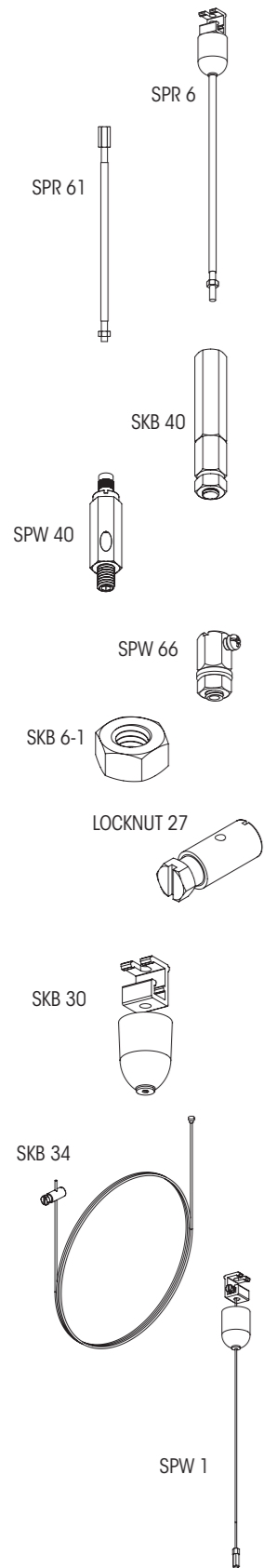
Wire Suspension



Wire Suspension



Global Trac Suspension parts



General Suspension Parts (PRO, PULSE, BASE -Series):

| Purchase Code | Type | EAN code | Description | Fmax | Colour | PCS / Package |
|---------------|--------|---------------|---------------|------|--------|---------------|
| KKT315438 | SPR6-2 | 6410014506872 | Rod M6 1M set | 200N | Black | 10 |
| KKT315440 | SPR6-3 | 6410014507879 | Rod M6 1M set | 200N | White | 10 |

| | | | | | | |
|-----------|---------|---------------|-------------------------|------|-------|----|
| KKT315435 | SPR61-2 | 6410014506902 | Rod M6 extension 1M set | 200N | Black | 10 |
| KKT315436 | SPR61-3 | 6410014507909 | Rod M6 extension 1M set | 200N | White | 10 |

| | | | | | | |
|-----------|---------|---------------|-------------------------------|------|-------|----|
| KKT315428 | SKB40-1 | 6410014502485 | Adjusting sleeve for M6 | 200N | Steel | 10 |
| KKT315460 | SPW40-1 | 6410014502492 | Height adjusting for wire 1.5 | 150N | Steel | 10 |

| | | | | | | |
|-----------|---------|---------------|-------------------------------|------|-------|-----|
| KKT315467 | SPW66-1 | 6410014535162 | Height adjusting for wire 1.5 | 150N | Steel | 100 |
|-----------|---------|---------------|-------------------------------|------|-------|-----|

| | | | | | | |
|-----------|------------|---------------|-------------------|------|-------|-----|
| KKT315431 | SKB 6-1 | 6410014502416 | Nut M6 | 200N | Steel | 100 |
| KKT31541 | LOCKNUT 27 | 6410014502126 | Lock nut for wire | 150N | Steel | 100 |

| | | | | | | |
|----------|---------|---------------|---------------|------|-------|-------|
| KKT31543 | SKB30-1 | 6410014522742 | Ceiling clamp | 200N | Grey | 1/200 |
| KKT31544 | SKB30-2 | 6410014502447 | Ceiling clamp | 200N | Black | 1/200 |
| KKT31547 | SKB30-3 | 6410014530303 | Ceiling clamp | 200N | White | 1/200 |

| | | | | | | |
|-----------|------------|---------------|------------------------|------|-------|--------|
| KKT315420 | SKB34-1 | 6410014502348 | Wire 1.5M + Locknut 27 | 150N | Steel | 10/200 |
| KKT315421 | SKB34-1/3M | 6410014522674 | Wire 3M + Locknut 27 | 150N | Steel | 10/200 |
| KKT315423 | SKB34-1/5M | 6410014522681 | Wire 5M + Locknut 27 | 150N | Steel | 10/200 |

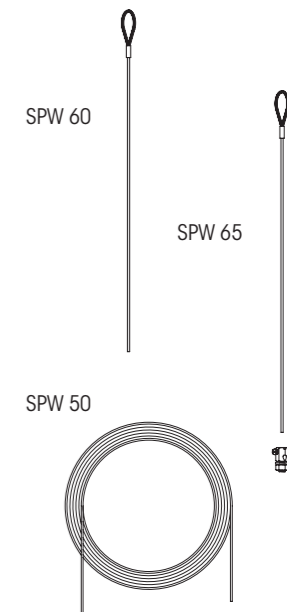
| | | | | | | |
|-----------|-----------|---------------|----------------------------|------|-------|-------|
| KKT315443 | SPW1-1 | 6410014522698 | Wire 1.5M with M6 mounting | 150N | Grey | 1/100 |
| KKT315441 | SPW1-1/3M | 6410014500474 | Wire 1.5M with M6 mounting | 150N | Grey | 1/100 |
| KKT315450 | SPW1-1/5M | 6410014500481 | Wire 1.5M with M6 mounting | 150N | Grey | 1/100 |
| KKT315444 | SPW1-2 | 6410014506865 | Wire 3M with M6 mounting | 150N | Black | 1/100 |
| KKT315445 | SPW1-2/3M | 6410014522704 | Wire 3M with M6 mounting | 150N | Black | 1/100 |
| KKT315447 | SPW1-2/5M | 6410014522711 | Wire 3M with M6 mounting | 150N | Black | 1/100 |
| KKT315452 | SPW1-3 | 6410014507862 | Wire 5M with M6 mounting | 150N | White | 1/100 |
| KKT315453 | SPW1-3/3M | 6410014522728 | Wire 5M with M6 mounting | 150N | White | 1/100 |
| KKT315455 | SPW1-3/5M | 6410014522735 | Wire 5M with M6 mounting | 150N | White | 1/100 |

General Suspension Parts (PRO, PULSE, BASE -Series):

| Purchase Code | Type | EAN code | Description | Fmax | Colour | PCS / Package |
|---------------|------------|---------------|----------------|------|--------|---------------|
| KKT3154661 | SPW60-1 | 6410014501891 | Wire 1.5M loop | 150N | Steel | 1/100 |
| KKT3154662 | SPW60-1/3M | 6410014501907 | Wire 3M loop | 150N | Steel | 1/100 |
| KKT3154663 | SPW60-1/5M | 6410014501914 | Wire 5M loop | 150N | Steel | 1/100 |

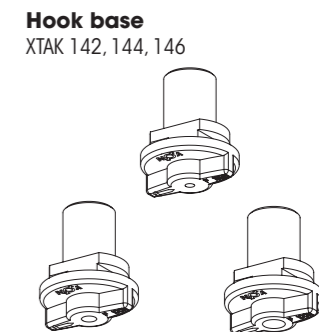
| | | | | | | |
|-------------|------------|---------------|-----------------------|------|-------|-------|
| KKT315466 | SPW65-1 | 6410014533151 | Wire 1.5M loop+ SPW66 | 150N | Steel | 1/100 |
| KKT31546633 | SPW65-1/3M | 6410014501921 | Wire 3M loop + SPW66 | 150N | Steel | 1/100 |
| KKT31546655 | SPW65-1/5M | 6410014501938 | Wire 5M loop + SPW66 | 150N | Steel | 1/100 |

| | | | | | | |
|-----------|---------|---------------|---------------|------|-------|------|
| KKT315461 | SPW50-1 | 6410014502508 | Wire 50M roll | 150N | Steel | 1/10 |
|-----------|---------|---------------|---------------|------|-------|------|



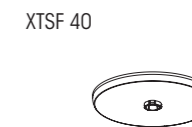
Suspension From Track (Pro, Pulse -Series):

| | | | | | | |
|------------|------------|---------------|-------------------------|------|-------|--------|
| KKT3014132 | XTAK 142-1 | 6410014507435 | 2mm hook suspension | 100N | Grey | 50/250 |
| KKT3014126 | XTAK 142-2 | 6410014506421 | 2mm hook suspension | 100N | Black | 50/250 |
| KKT3014127 | XTAK 142-3 | 6410014507428 | 2mm hook suspension | 100N | White | 50/250 |
| KKT3014133 | XTAK 144-1 | 6410014507459 | M4mm nut/rod suspension | 100N | Grey | 50/250 |
| KKT3014128 | XTAK 144-2 | 6410014506445 | M4mm nut/rod suspension | 100N | Black | 50/250 |
| KKT3014129 | XTAK 144-3 | 6410014507442 | M4mm nut/rod suspension | 100N | White | 50/250 |
| KKT3014134 | XTAK 146-1 | 6410014507473 | M6mm nut/rod suspension | 100N | Grey | 50/250 |
| KKT3014130 | XTAK 146-2 | 6410014506469 | M6mm nut/rod suspension | 100N | Black | 50/250 |
| KKT3014131 | XTAK 146-3 | 6410014506466 | M6mm nut/rod suspension | 100N | White | 50/250 |



General Track Accessories:

| | | | | | | |
|------------|----------|---------------|-----------------------------|---|-------|-------|
| KKT3011131 | XTSF40-1 | 6410014500436 | Outlet/cover plate for feed | - | Grey | 1/100 |
| KKT3012192 | XTSF40-2 | 6410014506636 | Outlet/cover plate for feed | - | Black | 1/100 |
| KKT3012193 | XTSF40-3 | 6410014507633 | Outlet/cover plate for feed | - | White | 1/100 |



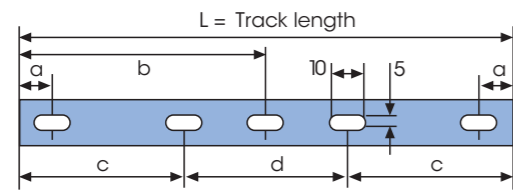
| | | | | | | |
|------------|-----------|---------------|---------------------------|------|-------|----------|
| KKT3014116 | XTAK 11-1 | 6410014500795 | Hook 2mm, XTAK142 & GBA14 | 100N | Steel | 100/1000 |
|------------|-----------|---------------|---------------------------|------|-------|----------|



● *Wide Range of Mounting Accessories
For All Suspension Needs*

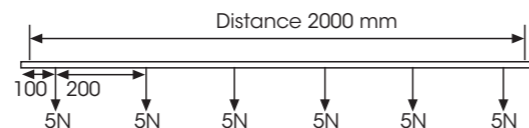
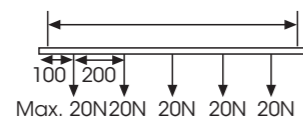
Global Trac Suspension parts Base

Predrilled Mounting Holes for Base Tracks:

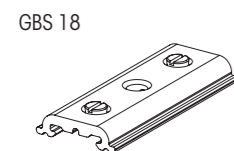


| L/mm | a/mm | b/mm | c/mm | d/mm |
|------|------|------|------|------|
| 1000 | 250 | | | |
| 2000 | 250 | 1000 | | |
| 3000 | 250 | | 1000 | 1000 |

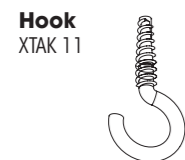
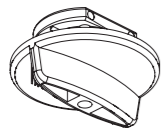
Load Capacity:



The Recommended fastening distance is 1000 mm



Hook base
GBA 14



Track Mounting Clamps (BASE -Series):

| Purchase Code | Type | EAN code | Description | Fmax | Colour | PCS/ Package |
|---------------|---------|---------------|----------------------------|------|--------|--------------|
| KKT30344 | GBS18-9 | 6410014508180 | Long clamp with M6 thread | 200N | Alu | 10/200 |
| KKT30345 | GBS33-9 | 6410014508333 | Short clamp with M6 thread | 200N | Alu | 20/200 |

Suspension from Track (BASE -Series):

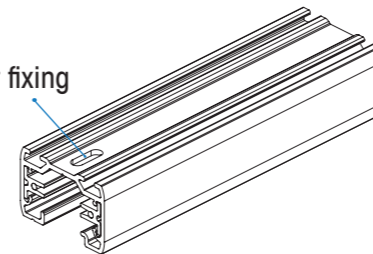
| | | | | | | |
|----------|---------|---------------|---------------------|------|-------|--------|
| KKT30341 | GBA14-1 | 6410014509811 | 2mm hook suspension | 100N | Grey | 50/250 |
| KKT30342 | GBA14-2 | 6410014508807 | 2mm hook suspension | 100N | Black | 50/250 |
| KKT30343 | GBA14-3 | 6410014509804 | 2mm hook suspension | 100N | White | 50/250 |

| | | | | | | |
|------------|-----------|---------------|---------------------------|------|-------|----------|
| KKT3014116 | XTAK 11-1 | 6410014500795 | Hook 2mm, XTAK142 & GBA14 | 100N | Steel | 100/1000 |
|------------|-----------|---------------|---------------------------|------|-------|----------|

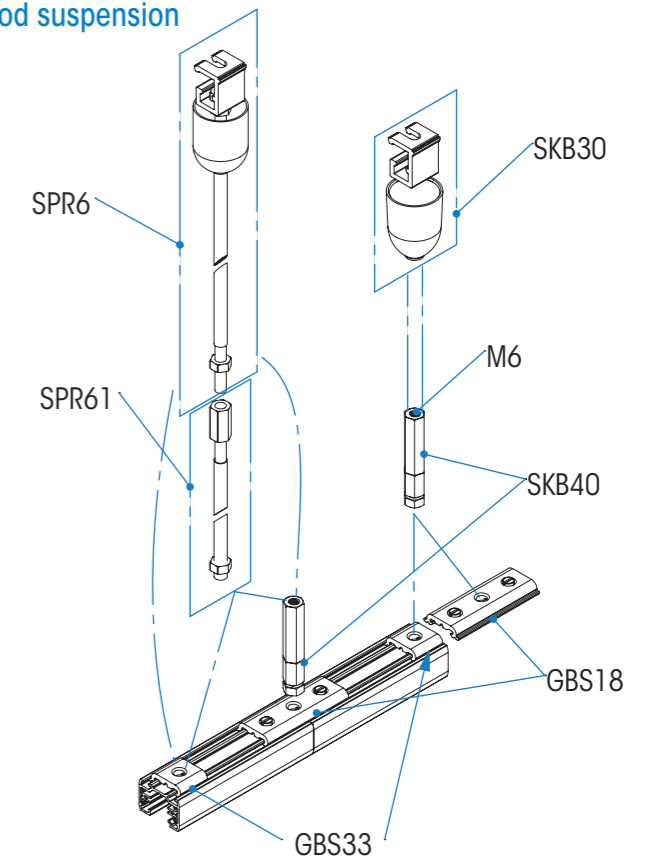
Global Trac Base – Suspension Options

Direct

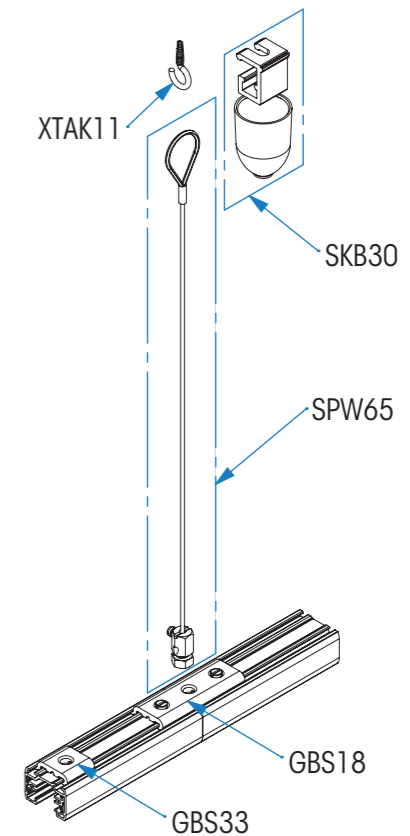
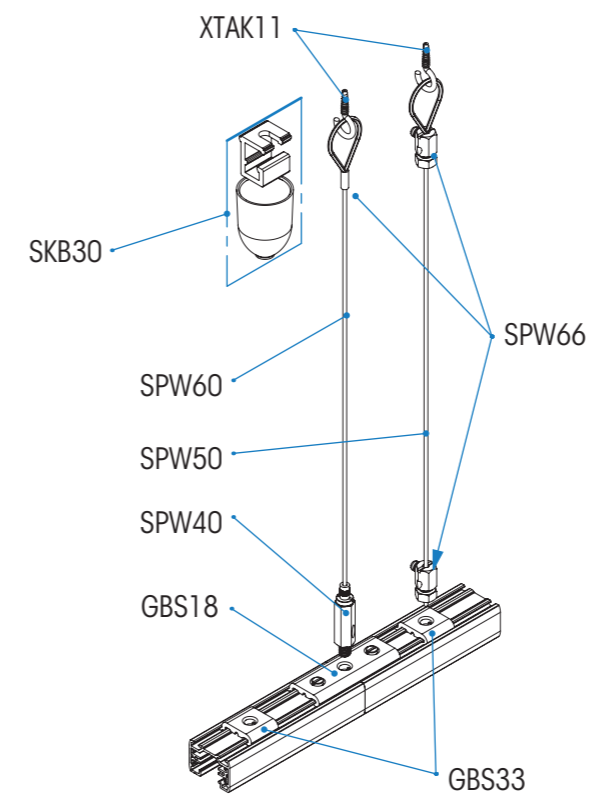
Direct fixing



Rod suspension



Wire Suspension

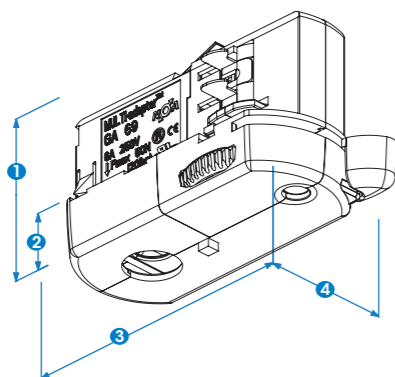


3-Circuit MULTI Adapter™

Adapters 3-Circuit Pro:

| Purchase Code | Type | EAN code | Description | Colour | PCS /Package |
|---------------|--------|---------------|------------------------|--------|--------------|
| KKT30131 | GA69-1 | 6410014530747 | 6A 50N Slot connection | Grey | 100 |
| KKT30132 | GA69-2 | 6410014520694 | 6A 50N Slot connection | Black | 100 |
| KKT30133 | GA69-3 | 6410014530693 | 6A 50N Slot connection | White | 100 |

GA 69
1. 40 mm 2. 14 mm
3. 70 mm 4. 32 mm

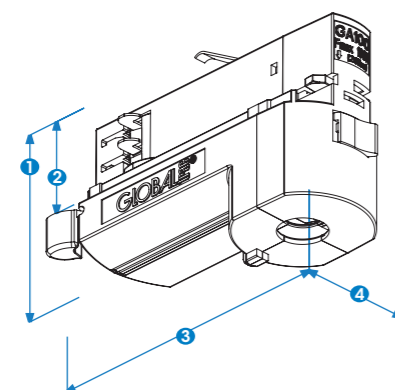


GA 69 Wiring Options

- To be used with stranded 0.5 ... 1.0mm² wire
- Slot Connection. The conductors are pressed into the connections by the connector lid or by the cable mounting tool. GA 69CT.
- Optional cable grip CG 69.

| | | | | | |
|------------|----------|---------------|--------------------------|-------|-------|
| KKT301393 | GA100-1 | 6410014530006 | 10A 100N Slot connection | Grey | 1/100 |
| KKT301394 | GA100-2 | 6410014531003 | 10A 100N Slot connection | Black | 1/100 |
| KKT301395 | GA100-3 | 6410014532000 | 10A 100N Slot connection | White | 1/100 |
| KKT3013104 | GA100L-1 | 6410014501242 | 10A 100N Slot connection | Grey | 100 |
| KKT3013105 | GA100L-2 | 6410014501259 | 10A 100N Slot connection | Black | 100 |
| KKT3013106 | GA100L-3 | 6410014501266 | 10A 100N Slot connection | White | 100 |

GA 100
1. 53 mm 2. 26 mm
3. 84 mm 4. 32 mm

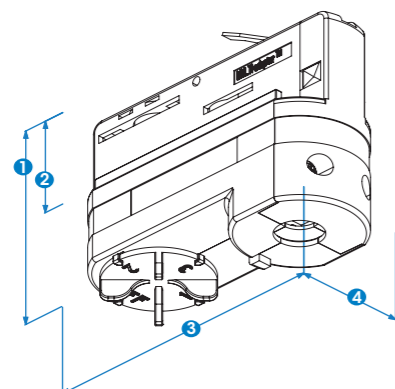


GA 100 Wiring Options

- To be used with stranded 0.5 ... 1.0mm² wire
- Slot Connection. The conductors are pressed into the connectors by the connector lid or by the cable mounting tool. GB 66CT.
- Optional cable grip CG 100.

| | | | | | |
|-----------|-----------|---------------|---------------------------|-------|-------|
| KKT301351 | XTSA68-1 | 6410014530730 | 10A 100N Screw connection | Grey | 1/100 |
| KKT301352 | XTSA68-2 | 6410014520687 | 10A 100N Screw connection | Black | 1/100 |
| KKT301357 | XTSA68-3 | 6410014530686 | 10A 100N Screw connection | White | 1/100 |
| KKT301362 | XTSA68L-1 | 6410014501273 | 10A 100N Screw connection | Grey | 100 |
| KKT301363 | XTSA68L-2 | 6410014501280 | 10A 100N Screw connection | Black | 100 |
| KKT301365 | XTSA68L-3 | 6410014501297 | 10A 100N Screw connection | White | 100 |

XTSA 68
1. 55 mm 2. 26 mm
3. 84 mm 4. 32 mm



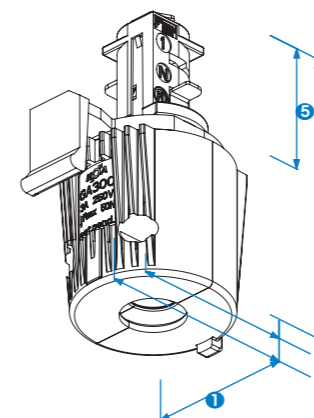
XTSA 68 Wiring Options

- To be used with stranded 0.5 ... 1.5mm² wire
- Optional cable grip CG 75

3-Circuit Adapters

| Purchase Code | Type | EAN code | Description | Colour | PCS /Package |
|---------------|-----------|---------------|-------------------------|--------|--------------|
| KKT301402 | GA300-1 | 6410014530433 | 3A 50N Slot connection | Grey | 1/100 |
| KKT301403 | GA300-2 | 6410014530440 | 3A 50N Slot connection | Black | 1/100 |
| KKT301404 | GA300-3 | 6410014530457 | 3A 50N Slot connection | White | 1/100 |
| KKT301405 | GA300L-1 | 6410014530464 | 3A 50N Slot connection | Grey | 100 |
| KKT301406 | GA300L-2 | 6410014530471 | 3A 50N Slot connection | Black | 100 |
| KKT301407 | GA300L-3 | 6410014530488 | 3A 50N Slot connection | White | 100 |
| KKT3014051 | GA300PP-1 | 6410014501303 | Mechanical support only | Grey | 100 |
| KKT3014052 | GA300PP-2 | 6410014501310 | Mechanical support only | Black | 100 |
| KKT3014053 | GA300PP-3 | 6410014501327 | Mechanical support only | White | 100 |

GA 300
1. 32 mm 2. 44 mm 3. 36 mm
4. 62 mm 5. 27 mm

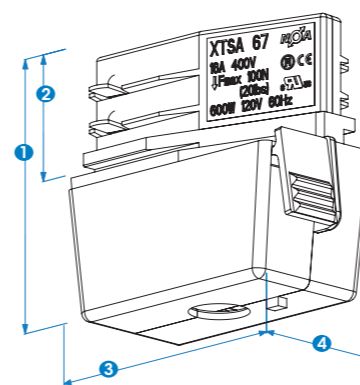


GA 300 Wiring Options

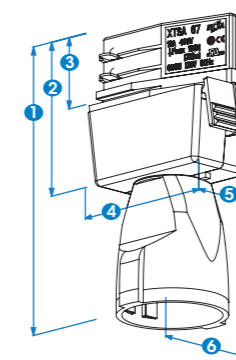
- To be used with stranded 0.5 ... 1.0mm² wire
- Slot Connection. The conductors are pressed into the connections by the Slot Plug (included)
- Optional cable grip CG 100

| | | | | | |
|------------|-----------|---------------|---------------------------|-------|-------|
| KKT3013461 | XTSA67-1 | 6410014500467 | 16A 100N Screw connection | Grey | 1/100 |
| KKT301346 | XTSA67-2 | 6410014520670 | 16A 100N Screw connection | Black | 1/100 |
| KKT301348 | XTSA67-3 | 6410014530679 | 16A 100N Screw connection | White | 1/100 |
| KKT3013460 | XTSA67L-2 | 6410014501334 | 16A 100N Screw connection | Black | 100 |
| KKT301349 | XTSA67L-3 | 6410014501341 | 16A 100N Screw connection | White | 100 |
| KKT3013120 | XTSA67S-2 | 6410014500443 | Schuko adapter | Black | 1/50 |
| KKT3013100 | XTSA67S-3 | 6410014531676 | Schuko adapter | White | 1/50 |
| KKT315498 | XTSK 17-1 | 6410014501358 | Mechanical support only | Grey | 1/100 |
| KKT315462 | XTSK 17-2 | 6410014520175 | Mechanical support only | Black | 1/100 |
| KKT315464 | XTSK 17-3 | 6410014530174 | Mechanical support only | White | 1/100 |

XTSA 67
1. 60 mm 2. 28 mm 3. 60 mm 4. 32 mm



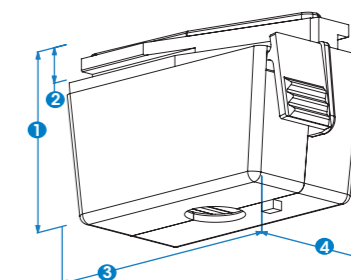
XTSA 67S
1. 112 mm 2. 60 mm 3. 28 mm
4. 60 mm 5. 32 mm 6. 47 mm



XTSA 67 Wiring Options

- 1-Circuit: Connecting max. 1.5 ... 2.5mm² wire
- 3-Phase: Connecting max. 5x 1.5mm² wire

XTSK 17
1. 40 mm 2. 8 mm 3. 60 mm 4. 32 mm



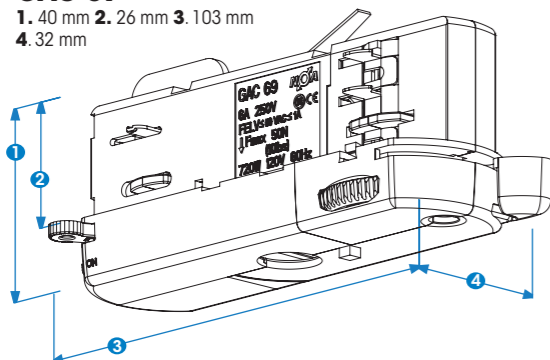
*Mechanical support only

Pulse DALI 3-Circuit Adapters

| Purchase Code | Type | EAN code | Description | Colour | PCS /Package |
|---------------|----------|---------------|------------------------|--------|--------------|
| KKT30691 | GAC69-1 | 6410014501860 | 6A 50N Slot connection | Grey | 1/50 |
| KKT30692 | GAC69-2 | 6410014501877 | 6A 50N Slot connection | Black | 1/50 |
| KKT30693 | GAC69-3 | 6410014501884 | 6A 50N Slot connection | White | 1/50 |
| KKT30694 | GAC69L-1 | 6410014501365 | 6A 50N Slot connection | Grey | 50 |
| KKT30695 | GAC69L-2 | 6410014501372 | 6A 50N Slot connection | Black | 50 |
| KKT30696 | GAC69L-3 | 6410014501389 | 6A 50N Slot connection | White | 50 |

GAC 69

1. 40 mm 2. 26 mm 3. 103 mm
4. 32 mm



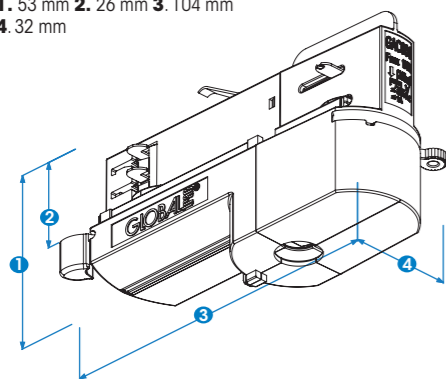
GAC 69 Wiring Options:

- To be used with stranded 0.5 ... 1.0mm² wire
- Slot Connection. The conductors are pressed into the connectors by the connector lid or by the cable mounting tool. GA 69CT.
- Optional cable grip CG 69.
- Control signal with screw connectors 0.5 ... 1.0mm² wire

| | | | | | |
|-----------|------------|---------------|--------------------------|-------|------|
| KKT306001 | GAC600-1 | 6410014532925 | 10A 100N Slot connection | Grey | 1/50 |
| KKT306002 | GAC600-2 | 6410014532932 | 10A 100N Slot connection | Black | 1/50 |
| KKT306003 | GAC600-3 | 6410014532949 | 10A 100N Slot connection | White | 1/50 |
| KKT306011 | GAC600L-1 | 6410014501396 | 10A 100N Slot connection | Grey | 50 |
| KKT306012 | GAC600L-2 | 6410014501402 | 10A 100N Slot connection | Black | 50 |
| KKT306013 | GAC600L-3 | 6410014501419 | 10A 100N Slot connection | White | 50 |
| KKT306004 | GAC600LX-1 | 6410014501426 | 10A 100N Slot connection | Grey | 50 |
| KKT306005 | GAC600LX-2 | 6410014501433 | 10A 100N Slot connection | Black | 50 |
| KKT306006 | GAC600LX-3 | 6410014501440 | 10A 100N Slot connection | White | 50 |

GAC 600

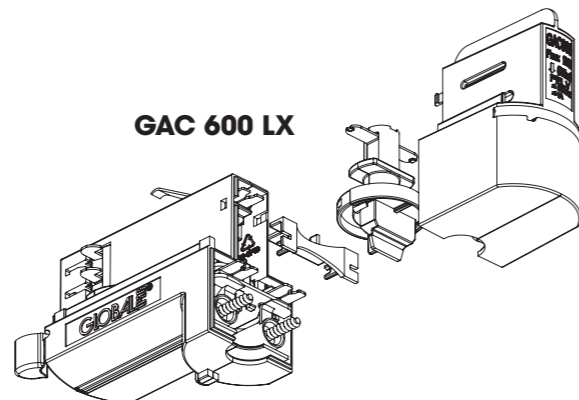
1. 53 mm 2. 26 mm 3. 104 mm
4. 32 mm



GAC 600 Wiring Options:

- To be used with stranded 0.5 ... 1.0mm² wire
- Slot Connection. The conductors are pressed into the connectors by the connector lid or by the cable mounting tool. GB 66CT.
- Optional cable grip CG 100.
- Control signal with screw connectors 0.5 ... 0.7mm² wire

GAC 600 LX

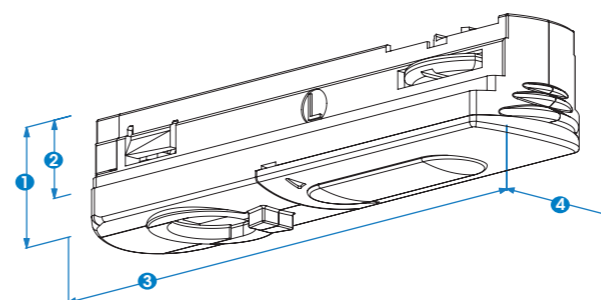


1-Circuit Adapters

| Purchase Code | Type | EAN code | Description | Colour | PCS /Package |
|---------------|---------|---------------|------------------------|--------|--------------|
| KKT30333 | GB66-1 | 6410014509651 | 6A 30N Slot connection | Grey | 1/100 |
| KKT30334 | GB66-2 | 6410014508661 | 6A 30N Slot connection | Black | 1/100 |
| KKT30336 | GB66-3 | 6410014509668 | 6A 30N Slot connection | White | 1/100 |
| KKT303339 | GB66L-1 | 6410014501457 | 6A 30N Slot connection | Grey | 100 |
| KKT303317 | GB66L-2 | 6410014501464 | 6A 30N Slot connection | Black | 100 |
| KKT303319 | GB66L-3 | 6410014501471 | 6A 30N Slot connection | White | 100 |

GB 66

1. 16 mm 2. 10 mm 3. 78 mm 4. 19 mm



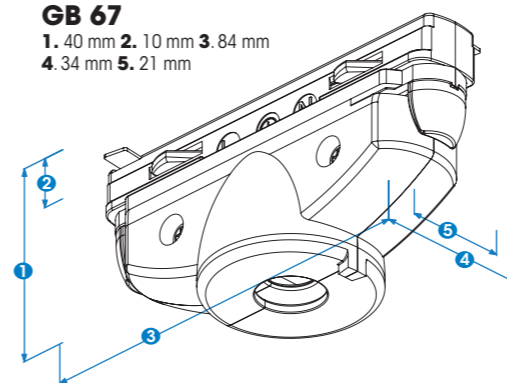
GB 66 Wiring Options:

- To be used with stranded 0.5 ... 1.0mm² wire
- Slot Connection. The conductors are pressed into the connectors by the connector lid or by the cable mounting tool. GB 66CT.

| | | | | | |
|------------|---------|---------------|---------------------------|-------|-------|
| KKT303321 | GB67-1 | 6410014509736 | 16A 100N Screw connection | Grey | 1/100 |
| KKT303322 | GB67-2 | 6410014508678 | 16A 100N Screw connection | Black | 1/100 |
| KKT303323 | GB67-3 | 6410014509675 | 16A 100N Screw connection | White | 1/100 |
| KKT303327 | GB67L-1 | 6410014501488 | 16A 100N Screw connection | Grey | 100 |
| KKT303328 | GB67L-2 | 6410014501495 | 16A 100N Screw connection | Black | 100 |
| KKT303329 | GB67L-3 | 6410014501501 | 16A 100N Screw connection | White | 100 |
| KKT3033271 | GB67M-1 | 6410014500214 | 16A 100N Screw connection | Grey | 100 |
| KKT3033281 | GB67M-2 | 6410014500221 | 16A 100N Screw connection | Black | 100 |
| KKT3033291 | GB67M-3 | 6410014500238 | 16A 100N Screw connection | White | 100 |
| KKT303346 | GB67S-2 | 6410014500450 | Schuko adapter | Black | 1/50 |
| KKT303340 | GB67S-3 | 6410014509682 | Schuko adapter | White | 1/50 |

GB 67

1. 40 mm 2. 10 mm 3. 84 mm
4. 34 mm 5. 21 mm

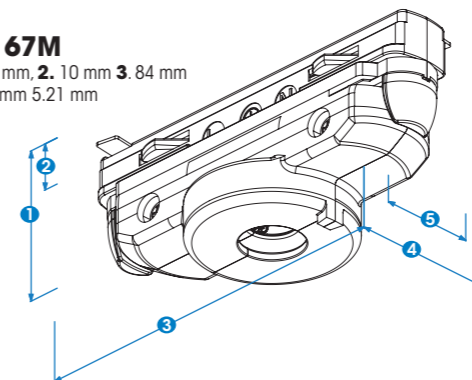


GB 67 Wiring Options:

- 1-Circuit: Connecting max. 1.5 ... 2.5mm² wire
- Optional cable grip CG 69 (Not suitable for GB 67M)

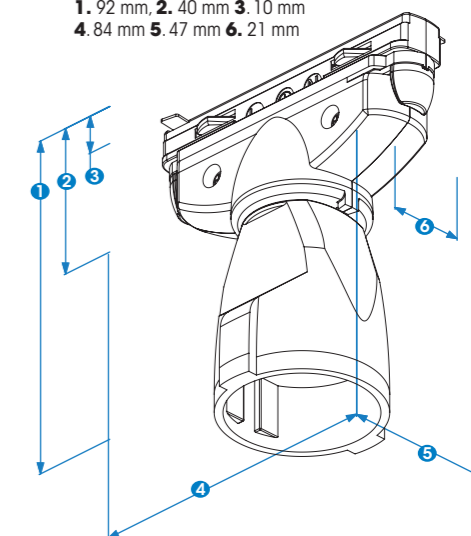
GB 67M

1. 33 mm 2. 10 mm 3. 84 mm
4. 34 mm 5. 21 mm



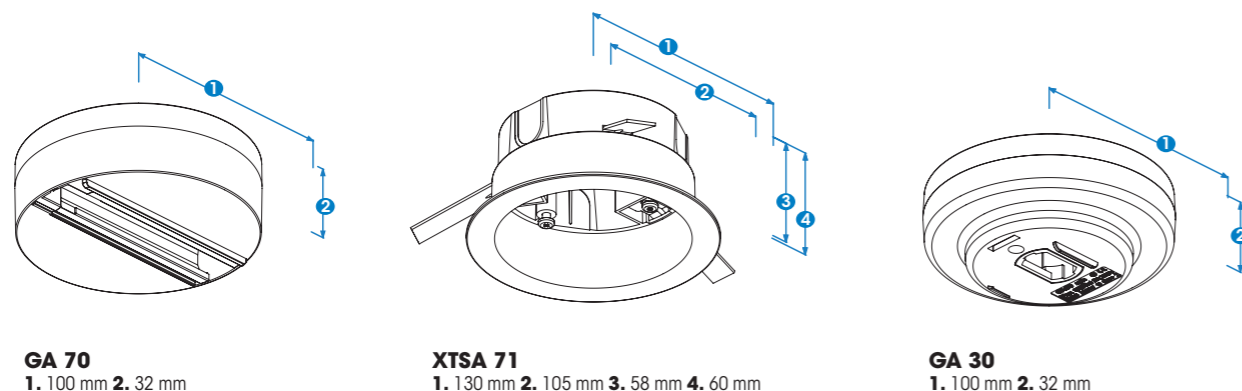
GB 67S

1. 92 mm 2. 40 mm 3. 10 mm
4. 84 mm 5. 47 mm 6. 21 mm



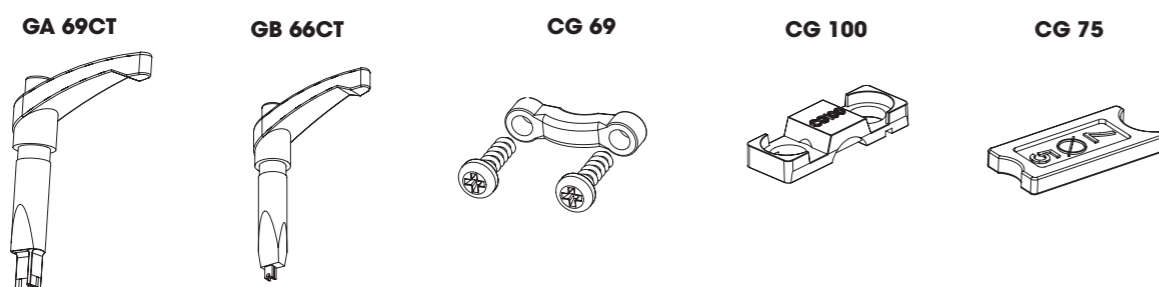
FIX Point™ Adapter Connectors

| Purchase Code | Type | EAN code | Description | Colour | PCS /Package |
|---------------|-----------|---------------|--|--------|--------------|
| KKT301318 | GA70-1 | 6410014530921 | Suitable for GA69, GA100, XTSA68, XTSA67 | Grey | 1/50 |
| KKT301319 | GA70-2 | 6410014520939 | Suitable for GA69, GA100, XTSA68, XTSA67 | Black | 1/50 |
| KKT301322 | GA70-3 | 6410014530938 | Suitable for GA69, GA100, XTSA68, XTSA67 | White | 1/50 |
| KKT301377 | XTSA 71-1 | 6410014530976 | Recessed box for GA70 | Grey | 1/25 |
| KKT301378 | XTSA 71-2 | 6410014530960 | Recessed box for GA70 | Black | 1/25 |
| KKT301383 | XTSA 71-3 | 6410014520969 | Recessed box for GA70 | White | 1/25 |
| KKT3014021 | GA30-1 | 6410014500122 | Suitable for GA300 | Grey | 1/50 |
| KKT3014031 | GA30-2 | 6410014500139 | Suitable for GA300 | Black | 1/50 |
| KKT3014041 | GA30-3 | 6410014500146 | Suitable for GA300 | White | 1/50 |



Adapter Accessories

| Purchase Code | Type | EAN code | Description | PCS /Package |
|---------------|--------|---------------|---|--------------|
| KKT301630 | GA69CT | 6410014522520 | Slot connection tool: GA69, GAC69 | 1/50 |
| KKT303316 | GB66CT | 6410014522513 | Slot connection tool: GA100, GAC600, GB66 | 1/50 |
| KKT301625 | CG69 | 6410014530785 | Strain relief: GA69, GAC69, GB67 | 100/1000 |
| KKT301638 | CG100 | 6410014530792 | Strain relief: GA100, GAC600, GA300 | 100/1000 |
| KKT301627 | CG75 | 6410014530778 | Strain relief: XTSA68 | 100/1000 |



Nipples for 1- & 3-C Adapters

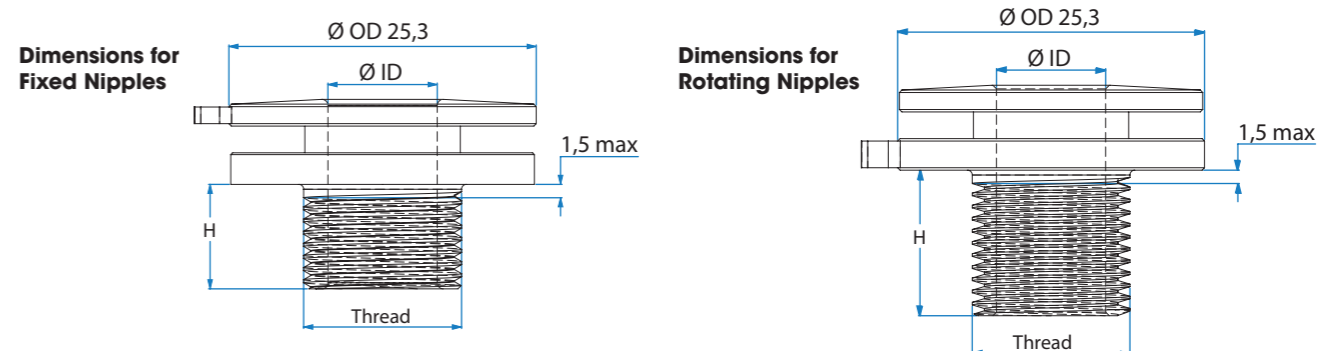
| Purchase Code | Type | EAN code | Thread | H mm | Ø ID mm | Suitable for adapters | | | | | | | | | | | Pcs/ Package |
|---------------------|--------------|---------------|--------|------|---------|-----------------------|---------|-------|------|-------|-------|--------|--------|--------|--------|------|--------------|
| | | | | | | XTSA510 | XTSA513 | Color | GA69 | GAC69 | GA100 | GAC600 | GA 300 | XTSA68 | XTSA67 | GB67 | |
| Fixed nipple | | | | | | | | | | | | | | | | | |
| KKT30161 | XTS 56/8.6-9 | 6410014522568 | M13 | 8.6 | 9 | | x | Alum | x | x | | | | | | | 100/500 |
| KKT30164 | XTS 58/8-9 | 6410014501716 | M10 | 8 | 7.4 | x | | Alum | x | x | x | x | x | | | | 100/500 |
| KKT301646 | GA 510-1 | 6410014500344 | | | 7 | | | Grey | x | x | | x | x | | | | 100/500 |
| KKT301628 | GA 510-2 | 6410014520861 | | | 7 | | | Black | x | x | | x | x | | | | 100/500 |
| KKT301629 | GA 510-3 | 6410014530860 | | | 7 | | | White | x | x | | x | x | | | | 100/500 |
| KKT30371 | GB 510-1 | 6410014500351 | | | 7 | | | Grey | | | | | | | x | | 100/500 |
| KKT30369 | GB 510-2 | 6410014508586 | | | 7 | | | Black | | | | | | | x | | 100/500 |
| KKT303610 | GB 510-3 | 6410014509583 | | | 7 | | | White | | | | | | | x | | 100/500 |

| Rotating nipple | | | | | | | | | | | | | | | | | |
|------------------------|---------------|---------------|-----|----|-----|---|--|-------|---|---|---|---|---|--|---|--|---------|
| KKT301613 | XTSA 55/12-9 | 6410014501556 | M13 | 12 | 9 | | | Alum | x | x | | x | x | | x | | 100/500 |
| KKT301620 | XTSA 57/8-9 | 6410014501594 | M10 | 8 | 7.4 | x | | Alum | x | x | x | x | x | | x | | 100/500 |
| KKT301637 | XTSA 57/8-9DD | 6410014522582 | M10 | 8 | 6.9 | x | | Alum | x | x | x | x | x | | x | | 100/500 |
| KKT301617 | XTSA 57/12-9 | 6410014501570 | M10 | 12 | 7.4 | | | Alum | x | x | x | x | x | | x | | 100/500 |
| KKT301615 | XTSA 57/12-2 | 6410014520922 | M10 | 12 | 7.4 | | | Black | x | x | x | x | x | | x | | 100/500 |
| KKT301639 | XTSA 57/17-9 | 6410014500375 | M10 | 17 | 7.4 | | | Alum | x | x | x | x | x | | x | | 100/500 |
| KKT301634 | XTSA 63-9 | 6410014522599 | M10 | 10 | 7 | | | Alum | x | x | x | x | x | | x | | 100/500 |
| KKT30361 | GA 57/10-1 | 6410014509569 | M10 | 10 | 7 | x | | Grey | | | | | | | x | | 100/500 |
| KKT30362 | GA 57/10-2 | 6410014508579 | M10 | 10 | 7 | x | | Black | | | | | | | x | | 100/500 |
| KKT30364 | GA 57/10-3 | 6410014509576 | M10 | 10 | 7 | x | | White | | | | | | | x | | 100/500 |
| KKT30366 | GA 57/10-9 | 6410014508975 | M10 | 10 | 7 | x | | Alum | | | | | | | x | | 100/500 |

| Nipple joint | | | | | | | | | | | | | | | | | |
|---------------------|------------|---------------|-----|----|-----|--|---|-------|---|---|---|---|---|---|---|--|-------|
| KKT3014034 | GA 37-1 | 6410114500153 | | | 7.6 | | | Grey | x | x | x | x | x | x | x | | 1/100 |
| KKT3014035 | GA 37-2 | 6410114500160 | | | 7.6 | | | Black | x | x | x | x | x | x | x | | 1/100 |
| KKT3014036 | GA 37-3 | 6410114500177 | | | 7.6 | | | White | x | x | x | x | x | x | x | | 1/100 |
| KKT3014037 | GA 37M13-1 | 6410114500276 | M13 | 11 | 7.6 | | x | Grey | x | x | | x | x | x | x | | 1/100 |
| KKT3014038 | GA 37M13-2 | 6410114500283 | M13 | 11 | 7.6 | | x | Black | x | x | | x | x | x | x | | 1/100 |
| KKT3014039 | GA 37M13-3 | 6409914500290 | M13 | 11 | 7.6 | | x | White | x | x | | x | x | x | x | | 1/100 |

| Strain relief | | | | | | | | | | | | | | | | | |
|----------------------|------------|---------------|-----|---|-----|--|--|-------|--|--|--|--|--|--|--|--|---------|
| KKT30165 | XTSA 510-1 | 6410014500320 | M10 | 9 | 7 | | | Grey | | | | | | | | | 100/500 |
| KKT30167 | XTSA 510-2 | 6410014520908 | M10 | 9 | 7 | | | Black | | | | | | | | | 100/500 |
| KKT30168 | XTSA 510-3 | 6410014530907 | M10 | 9 | 7 | | | White | | | | | | | | | 100/500 |
| KKT301621 | XTSA 513-1 | 6410014500337 | M13 | 9 | 9.2 | | | Grey | | | | | | | | | 100/500 |
| KKT301610 | XTSA 513-2 | 6410014520915 | M13 | 9 | 9.2 | | | Black | | | | | | | | | 100/500 |
| KKT301611 | XTSA 513-3 | 6410014530914 | M13 | 9 | 9.2 | | | White | | | | | | | | | 100/500 |

| Nut | | | | | | | | | | | | | | | | | |
|------------|----------|---------------|-----|--|--|--|--|--|--|--|--|--|--|--|--|--|---------|
| KKT301632 | GAM 10-9 | 6410014501754 | M10 | | | | | | | | | | | | | | 100/500 |
| KKT301633 | GAM 13-9 | 6410014501761 | M13 | | | | | | | | | | | | | | 100/500 |



XTS 56

XTS 58

GA 510

GB 510

XTSA 55

XTSA 57

XTSA 63

GA 57

GA 37

GA 37M

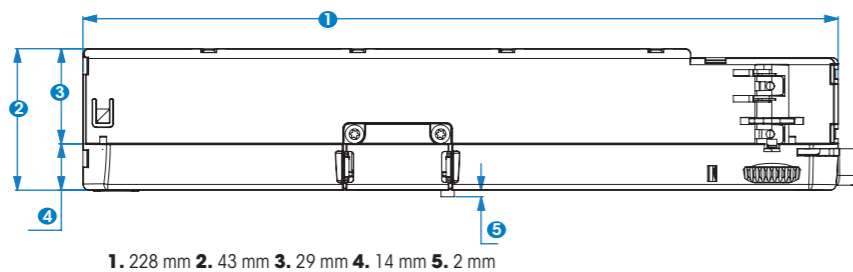
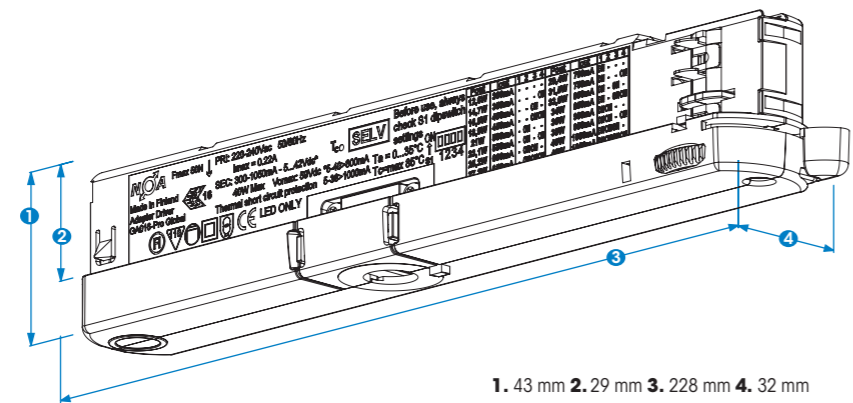
XTSA 510 / 513

GAM 10 / 13

Global Trac In-Track Adapter-Drivers

3-Circuit Adapter-Drivers:

| Purchase Code | Type | EAN code | Description | Fmax | Colour | PCS / Package |
|---------------|--------------------|---------------|-----------------------|------|--------|---------------|
| LIV3013171 | GA016-1-Pro Global | 6413631176879 | 300-1050mA : 12,6-40W | 50N | Grey | 44/2112 |
| LIV3013172 | GA016-2-Pro Global | 6413631176886 | 300-1050mA : 12,6-40W | 50N | Black | 44/2112 |
| LIV3013173 | GA016-3-Pro Global | 6413631176893 | 300-1050mA : 12,6-40W | 50N | White | 44/2112 |

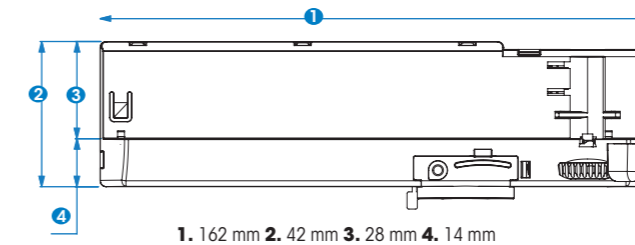
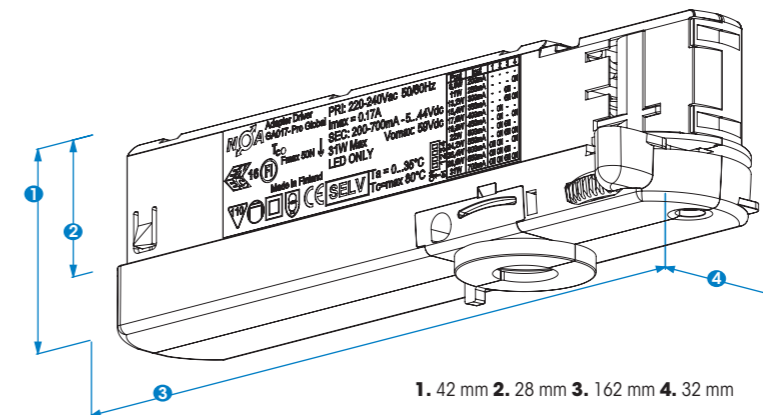


| | | | | | | | | | | |
|--|--|--|-------|-------|------------|-------|--------|-------------|---|---|
| NOVA Fmax 50N Made in Finland Adapter Driver GA016-Pro Global LED ONLY | PRI: 220-240Vac 50/60Hz Imax = 0.22A SEC: 300-1050mA - 5...42Vdc* 40W Max Vomax: 59Vdc Thermal short circuit protection 5-38>1000mA Tc = max 85°C | Before use, always check S1 dipswitch settings | 1 | 2 | 3 | 4 | 1 | 2 | 3 | 4 |
| | | | 12,6W | 300mA | - - - | 29,6W | 700mA | DN - - - | | |
| | | | 14,7W | 380mA | - - - | 31,8W | 780mA | DN - ON | | |
| | | | 16,8W | 400mA | - ON - | 33,8W | 800mA | DN - ON | | |
| | | | 18,9W | 480mA | - ON ON | 36W | 880mA | DN - ON ON | | |
| | | | 21W | 500mA | - ON - | 38W | 900mA | DN ON - - | | |
| | | | 23,1W | 550mA | - ON ON | 39W | 950mA | DN ON - ON | | |
| | | | 25,2W | 600mA | - ON ON | 40W | 1000mA | DN ON ON - | | |
| | | | 27,3W | 650mA | - ON ON ON | 42W | 1050mA | DN ON ON ON | | |

- The Original & Genuine Global Trac Adapter-Drivers Invented, Designed and Made in Finland

3-Circuit Adapter-Drivers:

| Purchase Code | Type | EAN code | Description | Fmax | Colour | PCS / Package |
|---------------|--------------------|---------------|---------------------|------|--------|---------------|
| LIV3013181 | GA017-1-Pro Global | 6413631176909 | 200-700mA : 8,8-31W | 50N | Grey | 20/1920 |
| LIV3013182 | GA017-2-Pro Global | 6413631176916 | 200-700mA : 8,8-31W | 50N | Black | 20/1920 |
| LIV3013183 | GA017-3-Pro Global | 6413631176923 | 200-700mA : 8,8-31W | 50N | White | 20/1920 |



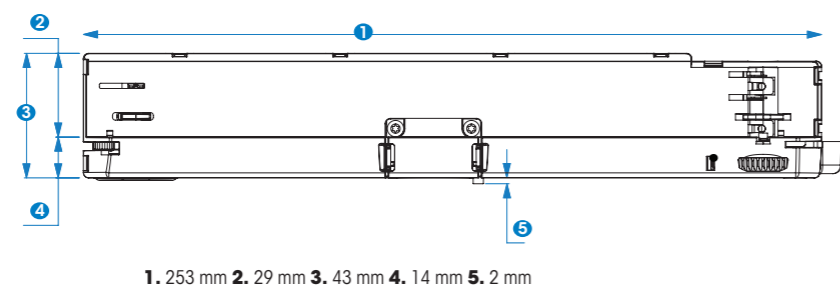
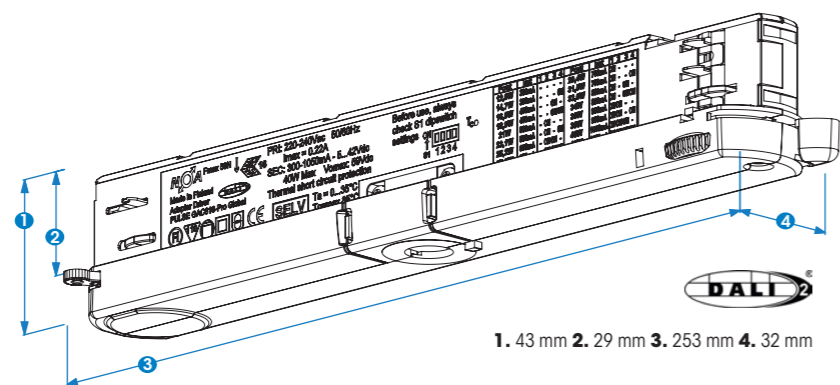
| | | | | | | | | | | |
|--|--|--|-------|-------|------------|-------|-------|----------|---|---|
| NOVA Adapter Driver GA017-Pro Global LED ONLY Made in Finland | PRI: 220-240Vac 50/60Hz Imax = 0.17A SEC: 200-700mA - 5...44Vdc 31W Max Vomax: 59Vdc Tc = max 80°C | Before use, always check S1 dipswitch settings | 1 | 2 | 3 | 4 | 1 | 2 | 3 | 4 |
| | | | 8,8W | 200mA | - - - | 22,2W | 500mA | ON ON - | | |
| | | | 11W | 250mA | - - - | 24,2W | 550mA | ON ON ON | | |
| | | | 13,2W | 300mA | - - ON | 26,4W | 600mA | ON ON ON | | |
| | | | 15,4W | 350mA | - ON ON | 28,6W | 650mA | ON ON ON | | |
| | | | 17,6W | 400mA | - ON - | 30,8W | 700mA | ON ON ON | | |
| | | | 19,8W | 450mA | - ON ON | 33,0W | 750mA | ON ON ON | | |
| | | | 22W | 500mA | - ON ON | 35,2W | 800mA | ON ON ON | | |
| | | | 24,2W | 550mA | - ON ON ON | 37,4W | 850mA | ON ON ON | | |
| | | | 26,4W | 600mA | - ON ON ON | 39,6W | 900mA | ON ON ON | | |

- Compatible With All Professional 3-Circuit Tracks

Global Trac In-Track Adapter-Drivers

Pulse DALI 3-Circuit Adapter-Drivers:

| Purchase Code | Type | EAN code | Description | Fmax | Colour | PCS / Package |
|---------------|---------------------|---------------|-----------------------|------|--------|---------------|
| LIV3013191 | GAC616-1-Pro Global | 6413631176930 | 300-1050mA : 12,6-40W | 50N | Grey | 10/1440 |
| LIV3013192 | GAC616-2-Pro Global | 6413631176947 | 300-1050mA : 12,6-40W | 50N | Black | 10/1440 |
| LIV3013193 | GAC616-3-Pro Global | 6413631176954 | 300-1050mA : 12,6-40W | 50N | White | 10/1440 |



NOVA Fmax 50N ↓ PRI: 220-240Vac 50/60Hz Imax = 0.22A
 Made in Finland Adapter Driver PULSE GAC616-Pro Global Thermal short circuit protection
 Before use, always check S1 dipswitch settings ON 1234

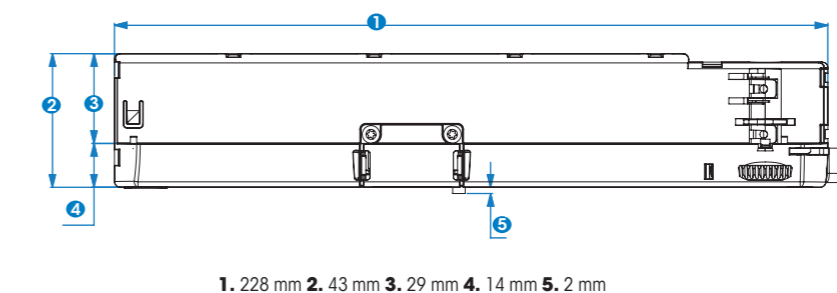
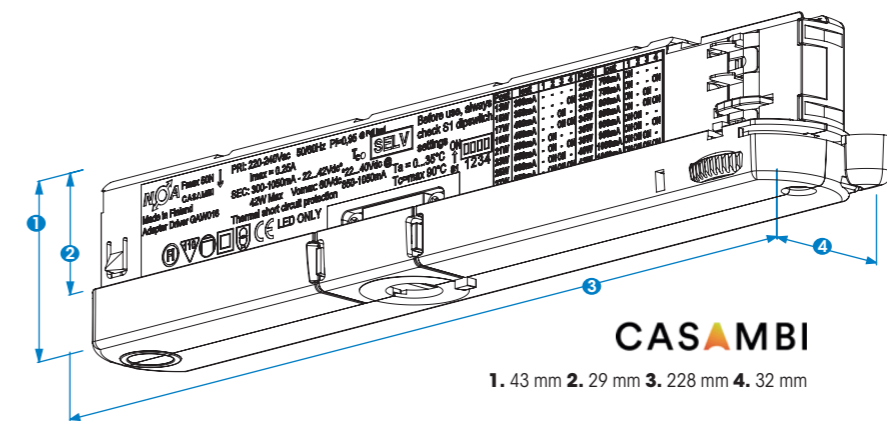
| Power | Load | 1 | 2 | 3 | 4 | Power | Load | 1 | 2 | 3 | 4 |
|-------|-------|---|----|----|----|-------|--------|----|----|----|----|
| 12,6W | 300mA | - | - | - | - | 29,6W | 700mA | ON | - | - | - |
| 14,7W | 360mA | - | - | ON | - | 31,8W | 780mA | ON | - | - | ON |
| 18,9W | 400mA | - | - | ON | ON | 33,8W | 800mA | ON | - | ON | - |
| 18,9W | 400mA | - | ON | ON | ON | 36W | 800mA | ON | ON | ON | - |
| 21W | 600mA | - | ON | - | - | 38W | 900mA | ON | ON | - | - |
| 23,1W | 600mA | - | ON | ON | - | 38W | 900mA | ON | ON | ON | - |
| 26,2W | 800mA | - | ON | ON | ON | 40W | 1000mA | ON | ON | ON | ON |
| 27,3W | 800mA | - | ON | ON | ON | 40W | 1000mA | ON | ON | ON | ON |

SELV Ta = 0...35°C Tc=max 85°C

- Create Your Dynamic Lighting Easily with GAC-616

Wireless Smart Controlled 3-Circuit Adapter-Drivers:

| Purchase Code | Type | EAN code | Description | Fmax | Colour | PCS / Package |
|---------------|------------------|---------------|-----------------------|------|--------|---------------|
| LIV30134811 | GAW016-1 Casambi | 6413631175407 | 300-1050mA : 12,6-42W | 50N | Grey | 44/2112 |
| LIV30134821 | GAW016-2 Casambi | 6413631175414 | 300-1050mA : 12,6-42W | 50N | Black | 44/2112 |
| LIV30134831 | GAW016-3 Casambi | 6413631175421 | 300-1050mA : 12,6-42W | 50N | White | 44/2112 |



NOVA Fmax 50N ↓ PRI: 220-240Vac 50/60Hz Pf=0,95 @ Full load Imax = 0.25A
 Made in Finland Adapter Driver GAW016 Thermal short circuit protection
 Before use, always check S1 dipswitch settings ON 1234

| Power | Load | 1 | 2 | 3 | 4 | Power | Load | 1 | 2 | 3 | 4 |
|-------|-------|---|----|----|----|-------|--------|----|----|----|----|
| 13W | 300mA | - | - | - | - | 29W | 700mA | ON | - | - | - |
| 16W | 360mA | - | - | ON | - | 32W | 780mA | ON | - | - | ON |
| 17W | 400mA | - | - | ON | ON | 34W | 800mA | ON | - | ON | - |
| 19W | 450mA | - | - | ON | ON | 36W | 800mA | ON | ON | ON | - |
| 21W | 600mA | - | ON | - | - | 38W | 900mA | ON | ON | - | - |
| 23W | 600mA | - | ON | ON | - | 38W | 900mA | ON | ON | ON | - |
| 26W | 800mA | - | ON | ON | ON | 40W | 1000mA | ON | ON | ON | ON |
| 27W | 800mA | - | ON | ON | ON | 42W | 1050mA | ON | ON | ON | ON |

SELV LED ONLY Ta = 0...35°C Tc=max 90°C

- The Original & Genuine Global Trac Adapter-Drivers Invented, Designed and Made in Finland



Our **comprehensive portfolio of track lighting systems** is designed to fully meet the lighting challenges of today.

We are all about innovative engineering, sustainability and authenticity. We set the standard in manufacturing the world's most used electrical track solutions known as **GLOBAL^{track}**

Ready to Deliver Around the Globe – From Finland Directly to Your Warehouse

Nordic Aluminium holds valid certifications enabling **export all around the globe**. Continuous product development in line with present-day international safety standards is an essential part of our business.



As a result, our track systems come with many certificates such as: *)



**) Certificates to vary regionally and between product families*

Don't Hesitate to Contact Us for Your Track Lighting Needs, Wherever You Are in the World

Shop Lighting for Pro & Pulse Tracks

Nordic Aluminium offers an **extensive range of track lights** particularly designed for **Shop & Retail**. Equipped with the inventive and popular GA- Adapter-Driver for extremely competitive price / pallet.



GA-016 Casa

11-28W : 800 - 3000 Lm
15°, 21°, 32°, 46°

827, 830, 840, 927, 930, 930
Premium White, 930 Premium Color,
930 Crisp White, 935, 940, Meat,
Bakery, Brilliant Vivid



GA-016 Standard

11-34W : 800 - 3500 Lm
15°, 3d 24°, 3d 36°, 3d 55°

827, 830, 840, 927, 930, 930
Premium White, 930 Premium Color,
930 Crisp White, 935, 940, Meat,
Bakery, Brilliant Vivid



GA-016 Cafeteria

11-42W : 800 - 4200 Lm
15°, 3d 24°, 3d 36°, 3d 55°

827, 830, 840, 927, 930, 930
Premium White, 930 Premium Color,
930 Crisp White, 935, 940, Meat,
Bakery, Brilliant Vivid



GA-016 Art

11-36W : 800 - 3700 Lm
15°, 3d 24°, 3d 36°, 3d 55°

827, 830, 840, 927, 930, 930
Premium White, 930 Premium Color,
930 Crisp White, 935, 940, Meat,
Bakery, Brilliant Vivid



GA-016 Dingo

11-42W : 800 - 3600 Lm
15°, 3d 28°, 35°, 3d 50°

827, 830, 840, 927, 930, 930
Premium White, 930 Premium Color,
930 Crisp White, 935, 940, Meat,
Bakery, Brilliant Vivid



GA-016 Lean

11-42W : 800 - 4400 Lm
10°, 20°, 30°, 40°, 50°, 60°

827, 830, 840, 927, 930, 930
Premium White, 930 Premium Color,
930 Crisp White, 935, 940, Meat,
Bakery, Brilliant Vivid

Linear LED Lights for Pro & Pulse Tracks

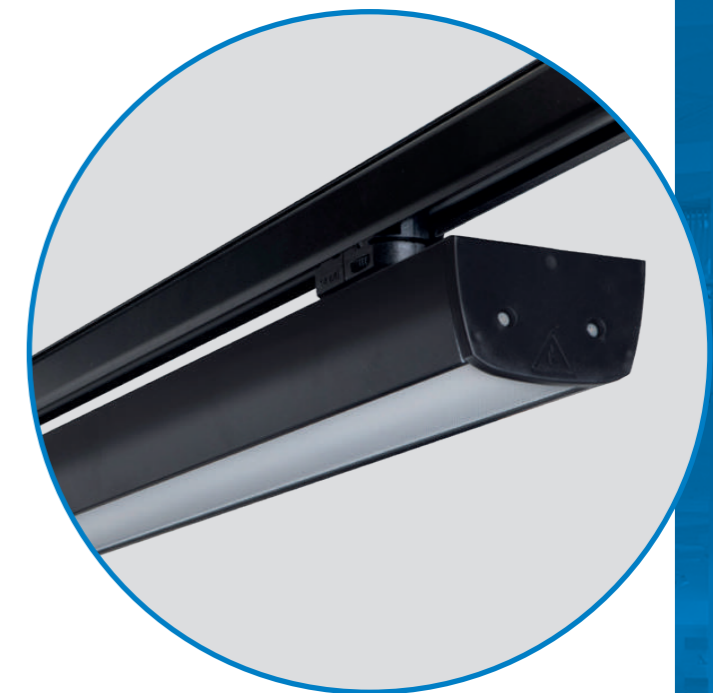
Flexible and clean **track mounted** linear LED solutions for all retail spaces. By using Global Trac, you can easily adapt our lighting to fit into your store's unique layout.

Nano -Series

Opal, Microprismatic,
Double Asymmetric
830, 840, 930, 935, 950, 965

800mm
30-55W: 3.900 – 7.200 Lm

1200mm
45-80W: 5.850 – 10.400 Lm



NanoX -Series

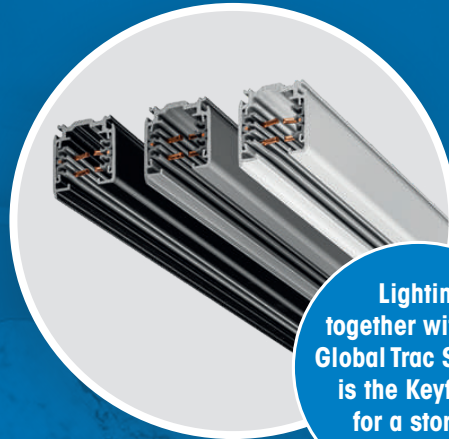
Opal, Microprismatic,
Double Asymmetric
830, 840, 930, 935, 950, 965

800mm
30-50W: 2.500 – 5.000 Lm

1200mm
45-80W: 3.700 – 8.000 Lm



- Nordic Aluminium is part of Lival Group



Lighting together with the Global Trac System is the Keyfactor for a store's success.



Global Trac allows you to change your light settings easily.



One stop shop. Everything you need from one place.

NORDIC  ALUMINIUM

Lival: Lukkarinmäentie 1, 04130 Sipoo, Finland
Nordic Aluminium: Kaapelitie 68, 02490 Pikkala, Finland
Tel.: +358 20 7660 200, globalinfo@nordicaluminium.fi, www.nordicaluminium.fi